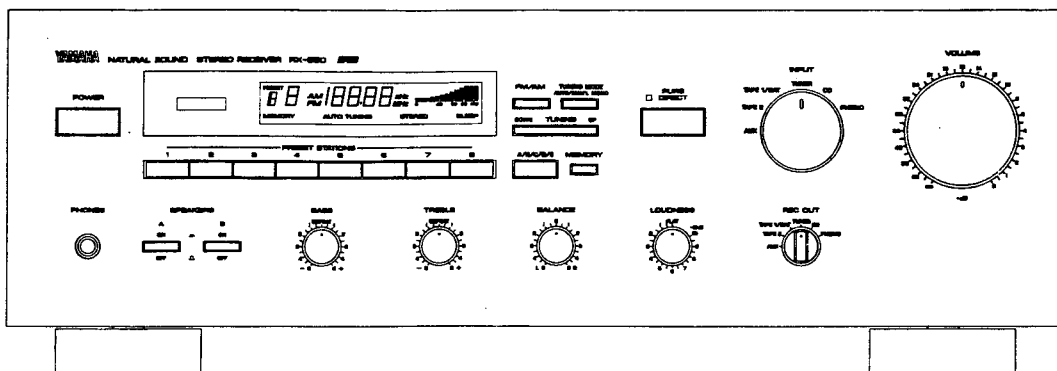
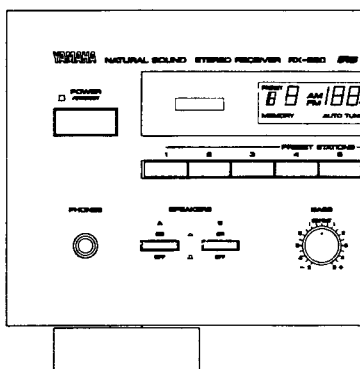


STEREO RECEIVER RX-550

SERVICE MANUAL



G model only



IMPORTANT NOTICE

This manual has been provided for the use of authorized YAMAHA Retailers and their service personnel. It has been assumed that basic service procedures inherent to the industry, and more specifically YAMAHA Products, are already known and understood by the users, and have therefore not been restated.

WARNING: Failure to follow appropriate service and safety procedures when servicing this product may result in personal injury, destruction of expensive components, and failure of the product to perform as specified. For these reasons, we advise all YAMAHA product owners that any service required should be performed by an authorized YAMAHA Retailer or the appointed service representative.

IMPORTANT: The presentation or sale of this manual to any individual or firm does not constitute authorization, certification or recognition of any applicable technical capabilities, or establish a principle-agent relationship of any form.

The data provided is believed to be accurate and applicable to the unit(s) indicated on the cover. The research, engineering, and service departments of YAMAHA are continually striving to improve YAMAHA products. Modifications are, therefore, inevitable and specifications are subject to change without notice or obligation to retrofit. Should any discrepancy appear to exist, please contact the distributor's Service Division.

WARNING: Static discharges can destroy expensive components. Discharge any static electricity your body may have accumulated by grounding yourself to the ground buss in the unit (heavy gauge black wires connect to this buss).

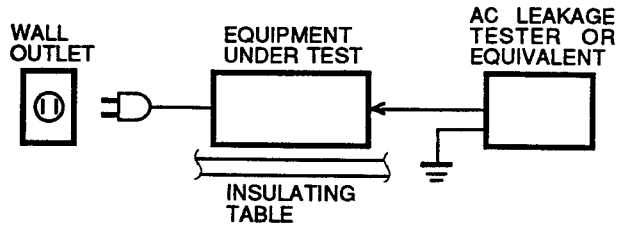
IMPORTANT: Turn the unit OFF during disassembly and part replacement. Recheck all work before you apply power to the unit.

CONTENTS

TO SERVICE PERSONNEL	1	PRINTED CIRCUIT BOARD	12-21
REAR PANELS	1-2	INTERCONNECT WIRING DIAGRAM	22-23
SPECIFICATIONS	3-4	DISPLAY DATA	24
INTERNAL VIEW	4	μ-COM DATA	25-26
DISASSEMBLY PROCEDURES	5	FRONT END PACK	27
ADJUSTMENT IN POWER AMPLIFIER SECTION	5	SCHEMATIC DIAGRAM	28-30
ADJUSTMENT IN TUNER SECTION	6-9	PARTS LIST	31-40
TEST MODE	9	REMOTE CONTROL TRANSMITTER	41
BLOCK DIAGRAM	10-11		

■ TO SERVICE PERSONNEL

1. **Critical Components Information.**
Components having special characteristics are marked and must be replaced with parts having specifications equal to those originally installed.
2. **Leakage Current Measurement (For 120V Models Only).**
When service has been completed, it is imperative to verify that all exposed conductive surfaces are properly insulated from supply circuits.
 - Meter impedance should be equivalent to 1500 ohm shunted by 0.15μF.
 - Leakage current must not exceed 0.5mA.
 - Be sure to test for leakage with the AC plug in both polarities.



- **POLARIZATION (U, C models only)**
This receiver product is equipped with a polarized alternating-current line plug (a plug having one blade wider than the other). This plug will fit into the power outlet only one way. This is a safety feature.

WARNING: CHEMICAL CONTENT NOTICE!

The solder used in the production of this product contains LEAD. In addition, other electrical/electronic and/or plastic (where applicable) components may also contain traces of chemicals found by the California Health and Welfare Agency (and possibly other entities) to cause cancer and/or birth defects or other reproductive harm.

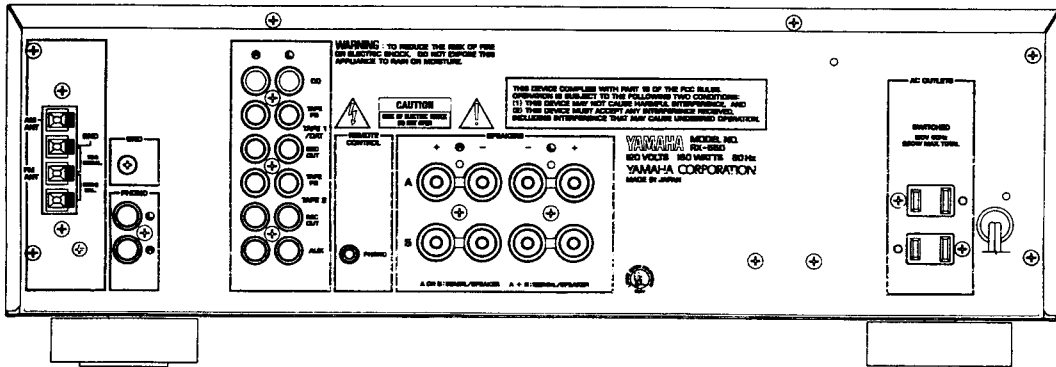
DO NOT PLACE SOLDER, ELECTRICAL/ELECTRONIC OR PLASTIC COMPONENTS IN YOUR MOUTH FOR ANY REASON WHATSOEVER!

Avoid prolonged, unprotected contact between solder and your skin! When soldering, do not inhale solder fumes or expose eyes to solder/flux vapor!

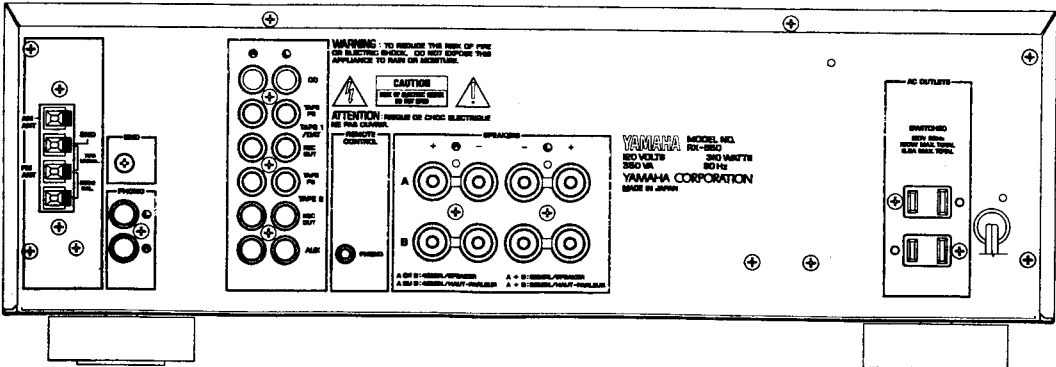
If you come in contact with solder or components located inside the enclosure of this product, wash your hands before handling food.

■ REAR PANELS

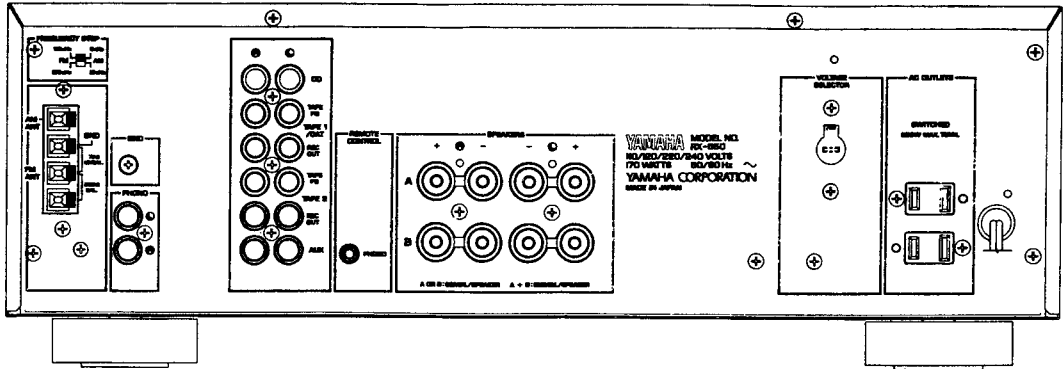
▼ U model



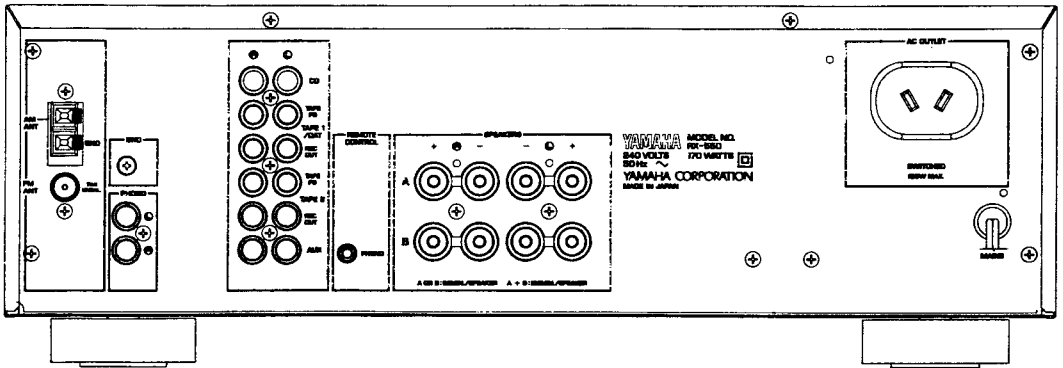
▼ C model



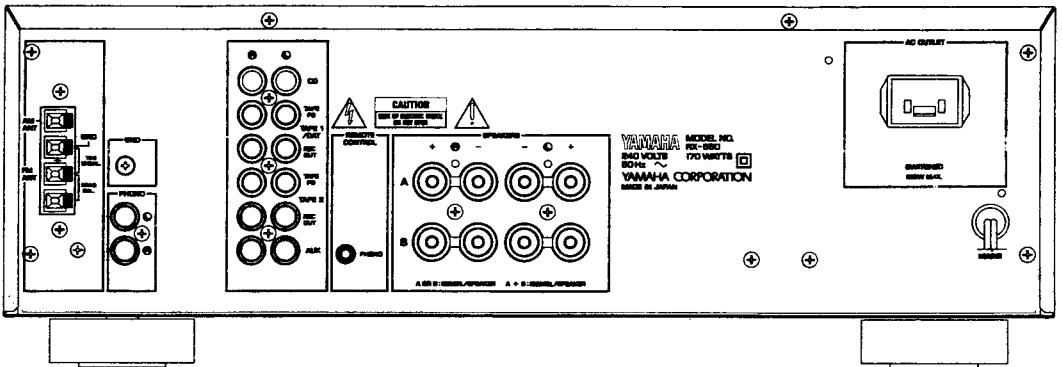
▼ R model



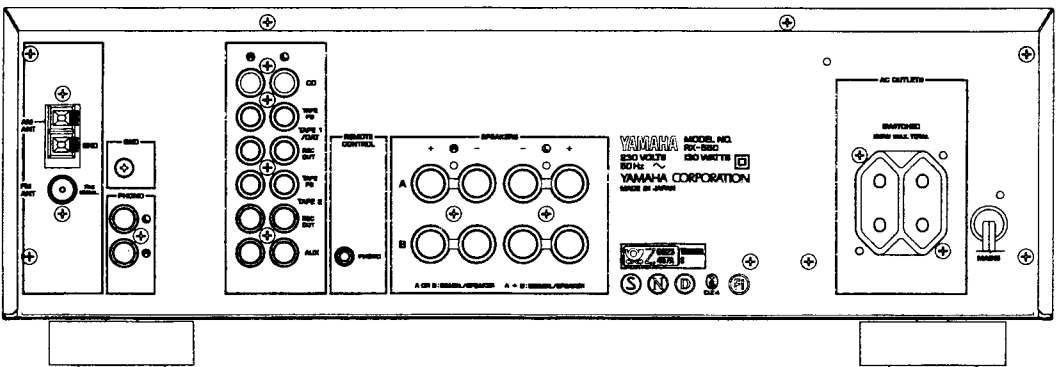
▼ A model



▼ B model



▼ G model



RX-550

■ SPECIFICATIONS

■ AUDIO SECTION

Minimum RMS Output Power per Channel	
8Ω, 20Hz to 20kHz, 0.015% THD	
U, C models	60W
A, B, G, R models	55W
6Ω, 20Hz to 20kHz, 0.03% THD	
U, C models	65W
Dynamic Power per Channel (IHF)	
8/6/4/2Ω	
U, C models	95/110/130/150W
A, B, G, R models	90/100/120/130W
DIN Standard Output Power per Channel	
4Ω, 1kHz, 0.7% THD	
G model only	70W
IEC Power (1kHz, 0.01% THD, 8Ω)	
G model only	65W
Power Band Width	
8Ω, 30W, 0.1% THD	10Hz to 50kHz
Damping Factor	
8Ω, 1kHz	150 or more
Input Sensitivity/Impedance	
PHONO MM	2.5mV/47kΩ
CD etc	150mV/47kΩ
Maximum Input Signal Level (1kHz, 0.01% THD)	
PHONO MM	115mV
Output Level/Impedance	
REC OUT	150mV/470Ω
Headphone Jack Rated Output/Impedance	
0.015% THD, RL= 8Ω	0.49V/330Ω
Frequency Response (20Hz to 20kHz)	
CD etc	±0.5dB
RIAA Equalization Deviation (20Hz to 20kHz)	
PHONO MM	±0.3dB
Total Harmonic Distortion (20Hz to 20kHz)	
PHONO MM to REC OUT (3V)	0.007%
CD etc to SP OUT (30W/8Ω)	0.008%
Intermodulation Distortion	
CD etc (Rated Output/8Ω)	0.01%
Signal-to-Noise Ratio (IHF-A Network)	
(Pure Direct SW ON)	
PHONO MM (5mV Input Shorted)	88dB
CD etc (Shorted)	108dB
Residual Noise (IHF-A Network)	
(Pure Direct SW ON)	70μV
Channel Separation (Vol. -30dB)	
PHONO MM (Input Shorted) 1kHz/10kHz	65dB/50dB
CD etc (input 5.1kΩ Terminated) 1kHz/10kHz	65dB/50dB
Tone Control Characteristics	
BASS : Boost/cut	±10dB (20Hz)
Turnover Frequency	350Hz
TREBLE : Boost/cut	±10dB (20kHz)
Turnover Frequency	3.5kHz
Continuous Loudness Control	
(Level related equalization)	-40dB (1kHz)

■ FM SECTION

Tuning Range	
U, C, models	87.5 to 107.9MHz
A, B, G, R models	87.5 to 108.0MHz
50dB Quieting Sensitivity (IHF, 75Ω)	
Except Europe model	
Mono	1.55μV (15.1dBf)
Stereo	2.1μV (37.7dBf)
Usable Sensitivity (75Ω)	
(30dB S/N Quieting, 1kHz, 100% mod.)	
Except G model	0.8μV (9.3dBf)
DIN, Mono (S/N 26dB) G model	0.9μV
DIN, Stereo (S/N 46dB) G model	2.4μV
Image Response Ratio	
Except G model	45dB
G model	75dB
IF Response Ratio	
Except G model	80dB
G model	75dB
Spurious Response Ratio	
70dB	
AM Suppression Ratio	
55dB	
Capture Ratio	
1.5dB	
Alternate Channel Selectivity	
Except G model	85dB
Selectivity (two signals, 40kHz Dev.)	
G model	70dB
Signal-to-Noise Ratio	
(IHF) Mono/Stereo	
Except G model	81/76dB
(DIN-weighted, 40kHz Dev.) Mono/Stereo	
G model	75/70dB
Harmonic Distortion (1kHz)	
Mono/Stereo	
Except G model	0.1/0.2%
Mono/Stereo (40kHz Dev.)	
G model	0.1/0.2%
Frequency Response	
20Hz to 15kHz	0±1.5dB
Stereo Separation (1kHz)	
Except G model	50dB
G model (40kHz Dev.)	50dB

■ AM SECTION

Tuning Range	
U, C, R models	530 to 1,710kHz
A, B, G, R models	531 to 1,611kHz
Usable Sensitivity	
100μV/m	
Selectivity	
32dB	
Signal-to-Noise Ratio	
50dB	
Image Response Ratio	
40dB	
Spurious Response Ratio	
50dB	
Harmonic Distortion (400Hz)	
0.3%	

AUDIO SECTION

Output Level/Impedance	
FM (30% mod., 1kHz)	
Except G model	700mV/2.9kΩ
G model (40kHz Dev.)	400mV/3.3kΩ
AM (30% mod., 400Hz)	
Except G model	200mV/2.9kΩ
G model (40kHz Dev.)	150mV/3.3kΩ

■ GENERAL

Power Supply

U, C models	AC 120V, 60Hz
A, B models	AC 240V, 50Hz
G model	AC 230V, 50Hz
R model	AC 110/120/220/240V, 60/50Hz

Power Consumption

U model	150W
C model	310W
G model	130W
A, B, R models	170W

AC Outlets

Switched x 2	
U, R models	200W max. (Total)
C, G models	100W max. (Total)
Switched x 1	
A, B models	100W max.

Dimensions (W x H x D) 435 x 150 x 388.5mm
(17-1/8" x 5-7/8" x 15-5/16")

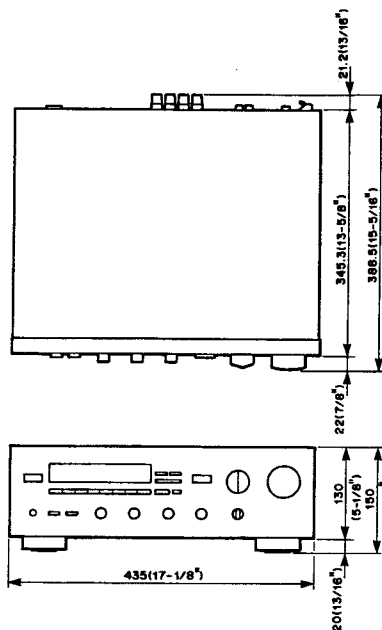
Weight 9 kg (19 lbs. 13 oz.)

Accessories AM loop antenna x 1
Indoor FM antenna x 1
Remote Control Transmitter x 1
Battery (size "AA," R06) x 2

* Specifications subject to change Without notice.

- | | |
|--------------------------|------------------------|
| U USA model | B British model |
| C Canadian model | G European model |
| A Australian model | R General model |

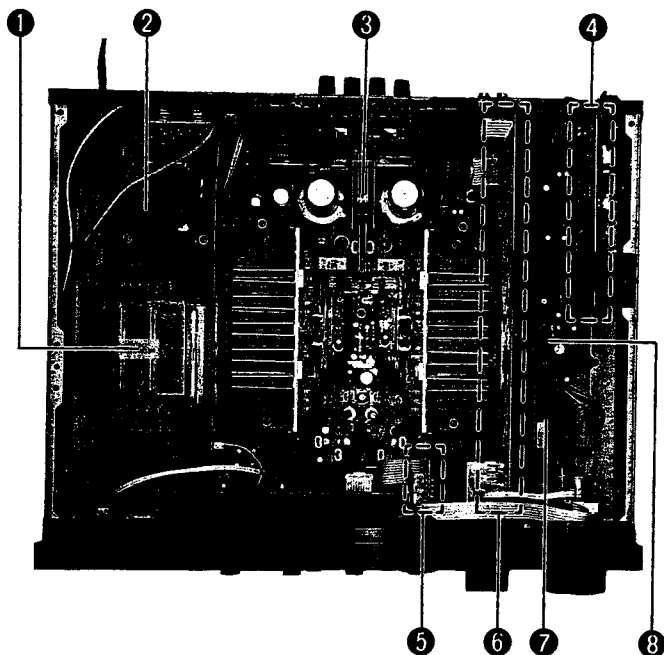
● DIMENSIONS



Units : mm (inch)

RX-550

■ INTERNAL VIEW



- ① POWER TRANSFORMER
- ② MAIN CIRCUIT BOARD (2)
- ③ MAIN CIRCUIT BOARD (1)
- ④ TUNER CIRCUIT BOARD
- ⑤ MAIN CIRCUIT BOARD (4)
- ⑥ FUNCTION CIRCUIT BOARD (2)
- ⑦ 8 bit μ-COM (IC305: M50747)
- ⑧ FUNCTION CIRCUIT BOARD (1)

DISASSEMBLY PROCEDURES

(Remove parts in the order as numbered.)

1. Removal of Top Cover

Remove 7 screws (①) in Fig. 1.

2. Removal of Bottom Cover

Remove 20 screws (②) in Fig. 1.

3. Removal of Front Panel

Remove 3 screws (③) in Fig. 1.

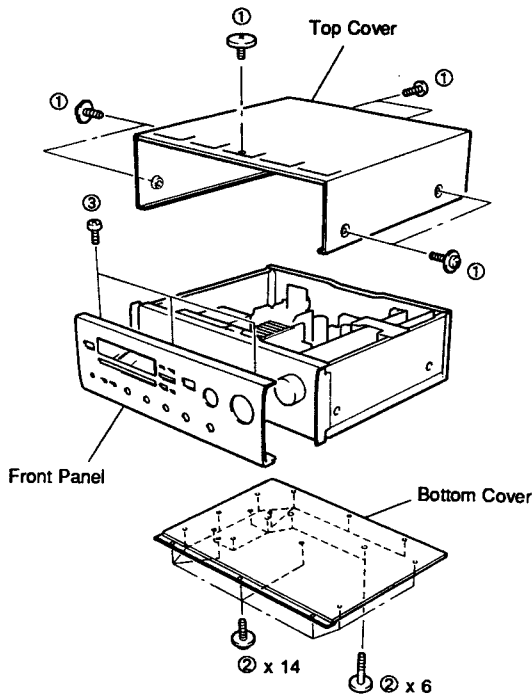
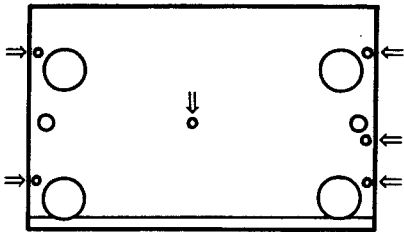


Fig. 1

CAUTION FOR SERVICING-USE ONLY
COPPER COLORED SCREWS (3X10 #8) FOR
POINTS INDICATED BY ARROWS (⇐).

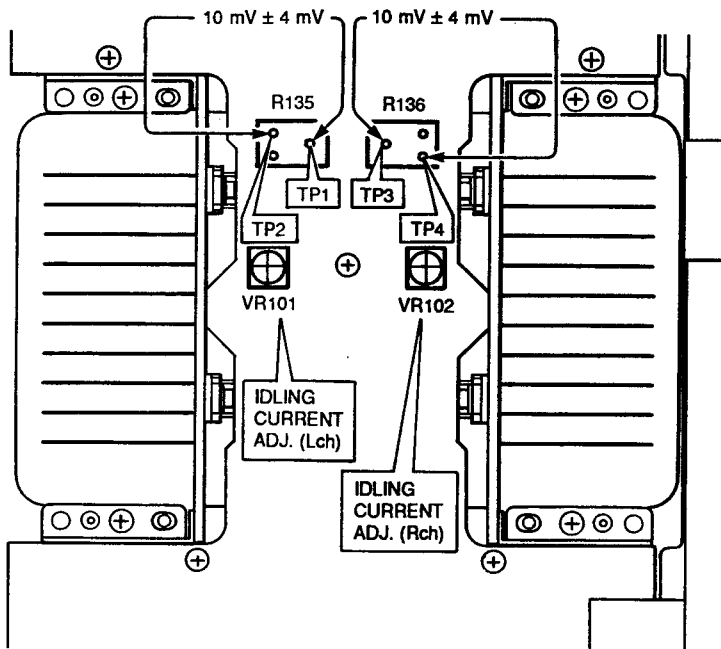


ADJUSTMENT IN POWER AMPLIFIER SECTION

IDLING CURRENT ADJUSTMENT

When replacing the power and drive transistors, adjust idling current. After the power has been turned on, age about 10 minutes in non loaded condition. Adjust VR101 (Lch) and VR102 (Rch) so that the voltage across the terminals of R135 (TP1 — TP2) and R136 (TP3 — TP4) come to $10\text{ mV} \pm 4\text{ mV}$ DC.

	Test points	Adjustment point	Rating
Lch	Across the terminals of R135 (TP1—TP2)	VR101	$10\text{ mV} \pm 4\text{ mV DC}$
Rch	Across the terminals of R136 (TP3—TP4)	VR102	$10\text{ mV} \pm 4\text{ mV DC}$

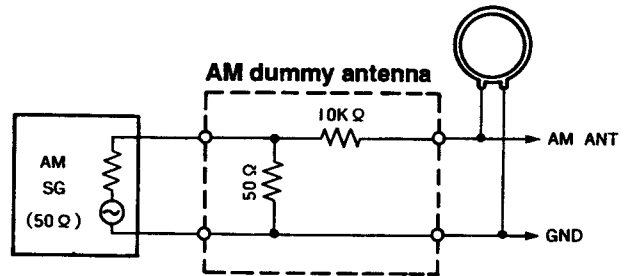
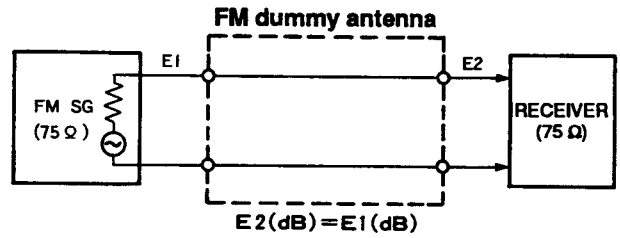
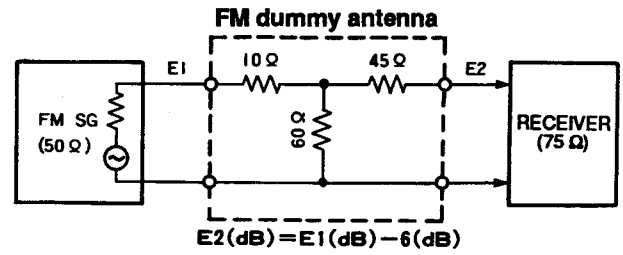


■ ADJUSTMENT IN TUNER SECTION

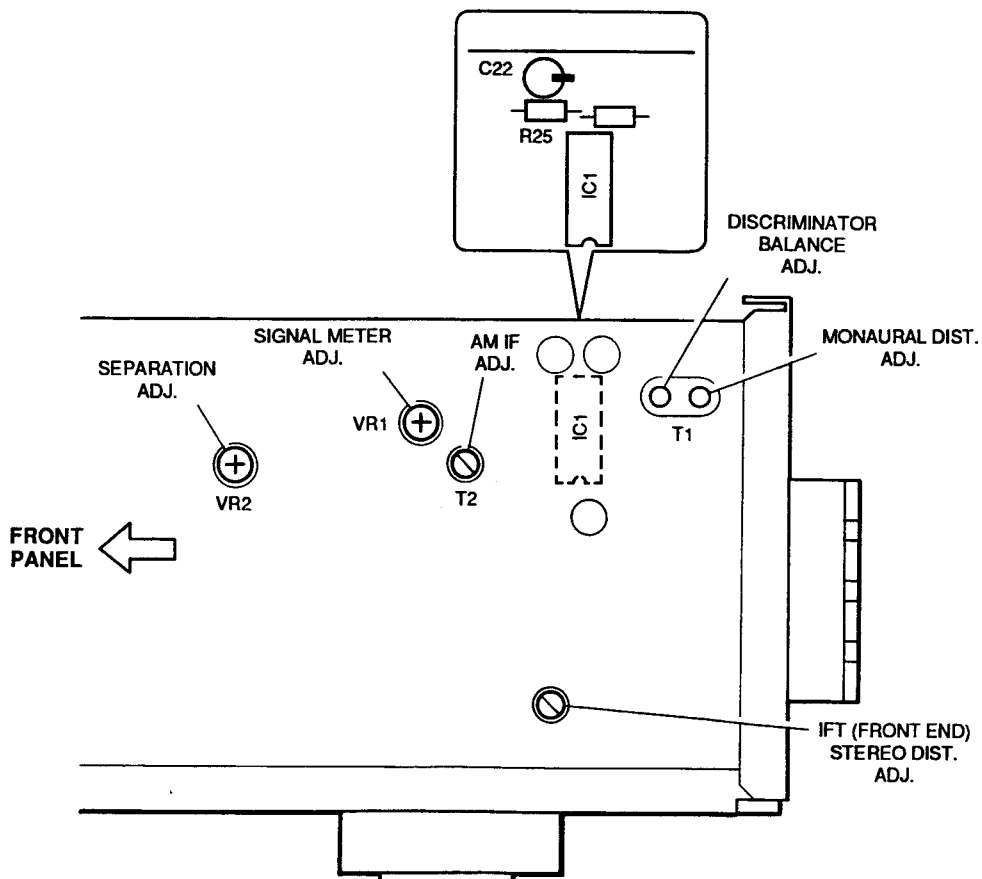
● Measuring Instruments

- FM signal generator (FM SG)
- Stereo signal generator (SSG)
- AM signal generator (AM SG)
- Distortion meter (DIST. M)
- AC voltmeter (ACVM)
- DC voltmeter (DCVM)
- Oscilloscope
- Low pass filter (YLF-15, $f_c=15\text{kHz}$)
- Oscillator

● Dummy antenna



● Adjustment points



FM Adjustment

● **Before Adjustment**

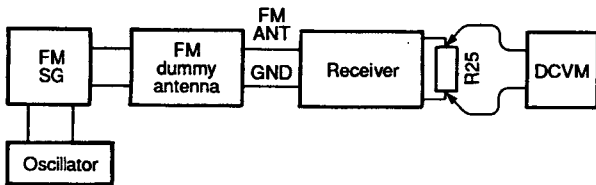
- 1) For dB, $1\mu V=0dB\mu$ applies.
Example : $60dB\mu=1mV$
- 2) 100% modulation means that the frequency deviation is 75kHz. (R, U, C, A, B)
- 3) For the G model, Frequency Deviation is 40kHz.
- 4) For the G, A models, install the Matching Transformer and connect FM SG.

- 5) Set each switch at the following position unless otherwise specified.

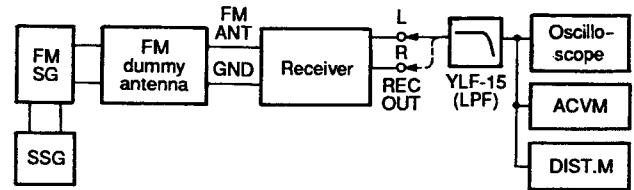
INPUT SELECTOR TUNER
 REC OUT TUNER
 TUNING MODE AUTO

● **Connection diagram (Measuring instruments)**

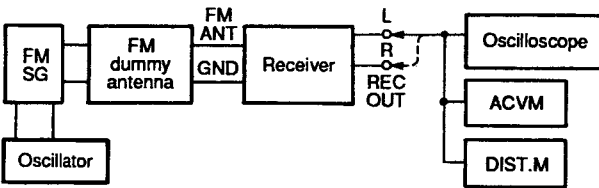
1) **Discriminator balance adjustment**



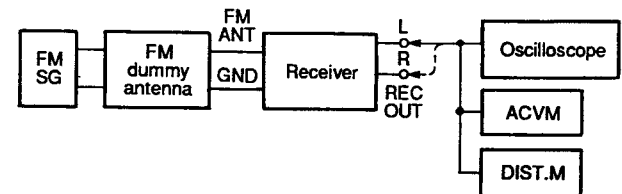
3) **Stereo distortion adjustment/separation adjustment**



2) **Monaural distortion adjustment**



4) **Sensitivity Verification**



RX-550

Step	Adjustment Item	Signal (ANT IN)	Reception frequency	Adjusted point	Test point	Rating
1	Rough adjustment of discriminator balance	FM ANT (75Ω) 98.1MHz 70dBμ MONO 100Hz 100% modulation	98.1MHz * (A-4)	T1 (IC side core)	Both ends of R25	DC 0V±100mV
2	Rough adjustment of monaural distortion	Same as Step 1.	98.1MHz * (A-4)	T1 (Antenna side core)	REC OUT L, R	Minimize the distortion.
3	Fine adjustment of discriminator balance	Same as Step 1.	98.1MHz * (A-4)	T1 (IC side core)	Both ends of R25	DC 0V±50mV
4	Fine adjustment of monaural distortion	Same as Step 1.	98.1MHz * (A-4)	T1 (Antenna side core)	REC OUT L, R	Minimize the distortion (to 52dB or less).
5	Verification of discriminator balance	Same as Step 1.	98.1MHz * (A-4)	T1 (IC side core)	Both ends of R25	DC 0V±50mV
6	Stereo distortion	FM ANT (75Ω) 98.1MHz 70dBμ Stereo (L or R) 1kHz, 100% modulation	98.1MHz * (A-4) *Tuning mode should be AUTO.	Front end IFT	REC OUT L, R	Distortion should be minimized (40dB or less) * STEREO indicator should light. * Note that over-turning IFT will reduce sensitivity.
7	Verification of monaural distortion	FM ANT (75Ω) 98.1MHz 70dBμ MONO 1kHz, 100% modulation	98.1MHz * (A-4)		REC OUT L, R	48dB or less

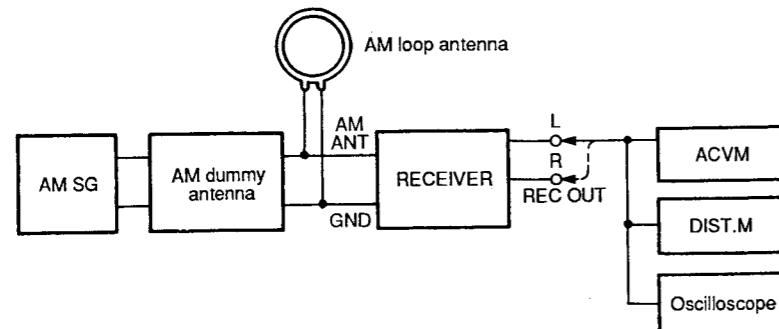
Step	Adjustment item	Signal (ANT IN)	Reception frequency	Adjusted point	Test point	Rating
8	Verification of sensitivity	FM ANT (75Ω) 88.1MHz 98.1MHz 106.1MHz	88.1MHz * (A-6) 98.1MHz * (A-4) 106.1MHz * (A-7)		ANT (75Ω)	Set the tuning mode to MAN'L MONO. S/N should be 30dB at each frequency of 88.1MHz, 98.1MHz, and 106.1MHz. Check to ensure that the voltage at the ANT terminal is 3dBμ or less.
9	Separation	FM ANT (75Ω) 98.1MHz 70dBμ Stereo (L or R) 1kHz, 100% modulation	98.1MHz * (A-4)	VR2	REC OUT L, R	With SSG output at L or R, the signal leakage level at the other channel should be minimized. 36dB or more
10	Signal meter	FM ANT (75Ω) 98.1MHz 45dBμ MONO 1kHz 30% modulation	98.1MHz * (A-4)	VR1		Adjust so that all signal meters light.
		-10dBμ or less				Check to ensure that signal meters turn OFF.
11	Verification of auto tuning	FM ANT (75Ω) 98.1MHz 23dBμ Stereo (L or R) 1kHz, 30% modulation	98.1MHz			<ul style="list-style-type: none"> Automatic reception should be available when the tuning key is moved UP and DOWN. The stereo indicator should light. Voice muting should be applied during tuning.

* : Execution of MAKER PRESET (Refer to TEST MODE on page 9.) will facilitate setting reception frequency for adjustment.

AM Adjustment (This should be done after FM adjustment.)

● Connection Diagram (Measuring instruments)

1) Adjustment of sensitivity



Step	Adjustment item	Signal (ANT IN)	Reception frequency	Adjusted point	Test point	Rating
1	Adjustment of sensitivity	AM ANT 630kHz 50dBμ 400Hz, 30% modulation	630kHz * (B-1)	T2	REC OUT	Wave detection output should be maximized.
2	Verification of sensitivity	AM ANT 630kHz 1080kHz 1440kHz 400Hz, 30% modulation	630kHz * (B-1) 1080kHz * (B-2) 1440kHz * (B-3)		AM ANT	Distortion should be 10% or less at each frequency. Check to ensure that the voltage at the ANT terminal is 54dBμ or less.
3	Verification of signal meter	AM ANT 1080kHz 90dBμ	1080kHz * (B-2)			All signal meters should light.
		-10dBμ or less				All signal meters should turn OFF.
4	Verification of auto tuning	AM ANT 60dBμ				Auto reception should be available when the tuning key is moved UP and DOWN.

■ TEST MODE

CAUTION : Before setting to the TEST mode, write down the existing preset memory content of the Tuner in a table as shown below. (This is because setting to the TEST mode will cause the memory content to be as factory set, i.e., all the preset memory by the user will be erased.)

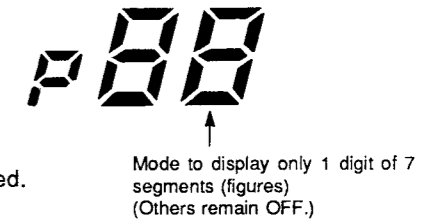
Preset group	P1	P2	P3	P4	P5	P6	P7	P8
A								
B								
C								
D								
E								

● How to start

Turn the POWER switch ON while pressing the PRESET STATION keys No.1, 2 and 3 simultaneously, and the unit enters the TEST mode for the display check. (ALL LIGHTS mode becomes effective immediately after starting.) After that, the DISPLAY mode switches by means of PRESET STATION key No.1, 2, 3 or 8.

● Content of the TEST mode key

- PRESET STATION "1" key : ALL LIGHTS ON mode
- PRESET STATION "2" key : LIGHTS OFF mode
- PRESET STATION "3" key : 7-segment (figure) display mode
- PRESET STATION "8" key : The mode is switched to the PRODUCT mode when the TEST mode is cancelled.



● How to cancel

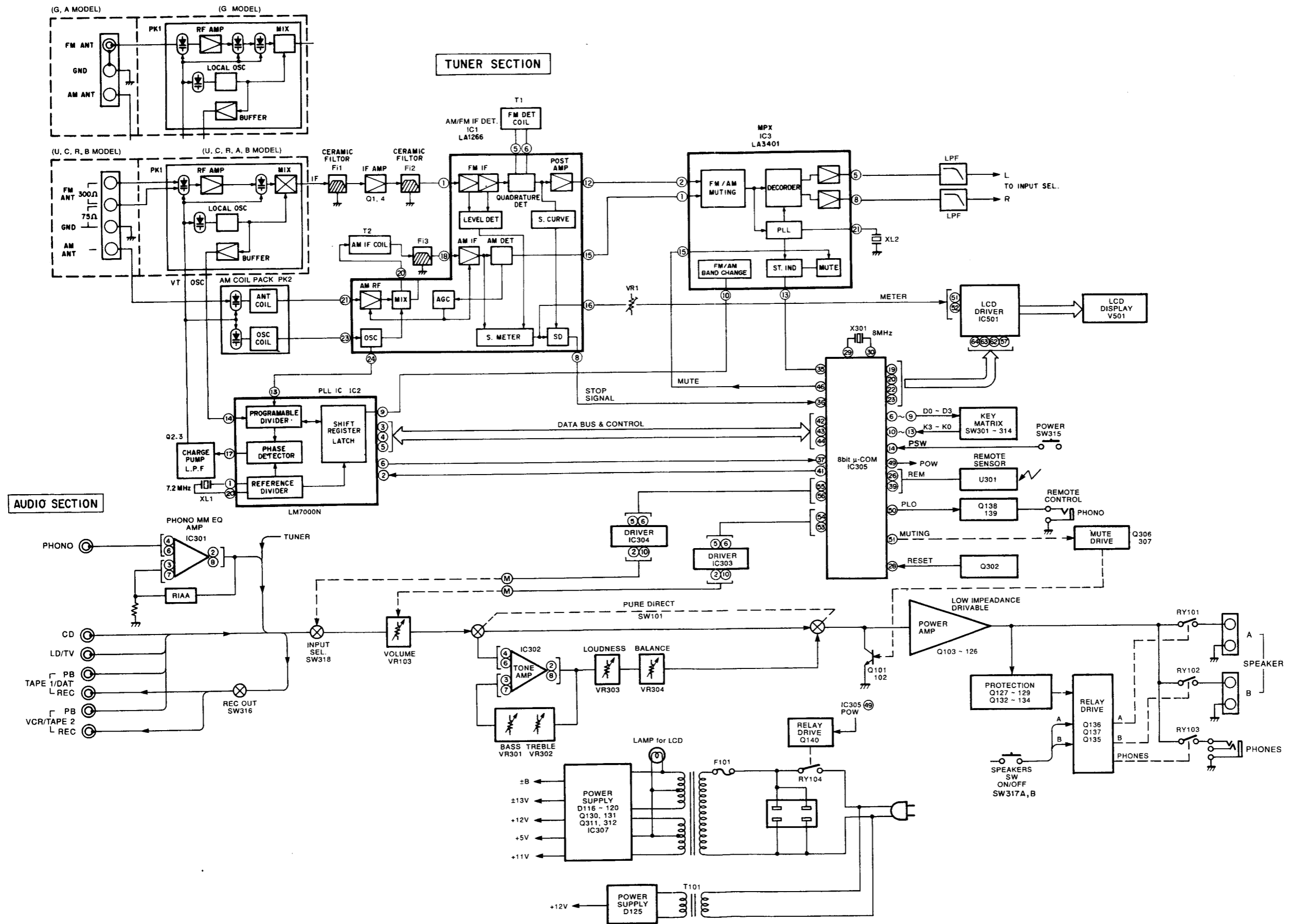
The normal operation is restored when the POWER switch is turned OFF or the PRESET STATION key No.8 pressed. At the same time, the factory preset memory is also restored.

● Factory preset memory content

Preset group	P1	P2	P3	P4	P5	P6	P7	P8
A / C / E	87.5MHz	90.1MHz	95.1MHz	98.1MHz	108MHz	88.1MHz	106.1MHz	107.9MHz (U, C) 108MHz (R, A, B, G)
B / D	630kHz	1080kHz	1440kHz	530kHz (U, C) 531kHz (R, A, B, G)	1710kHz (U, C) 1611kHz (R, A, B, G)	900kHz	1350kHz	1400kHz (U, C) 1404kHz (R, A, B, G)

For all the above, AUTO TUNING and AUTO STEREO are selected as the TUNING mode.

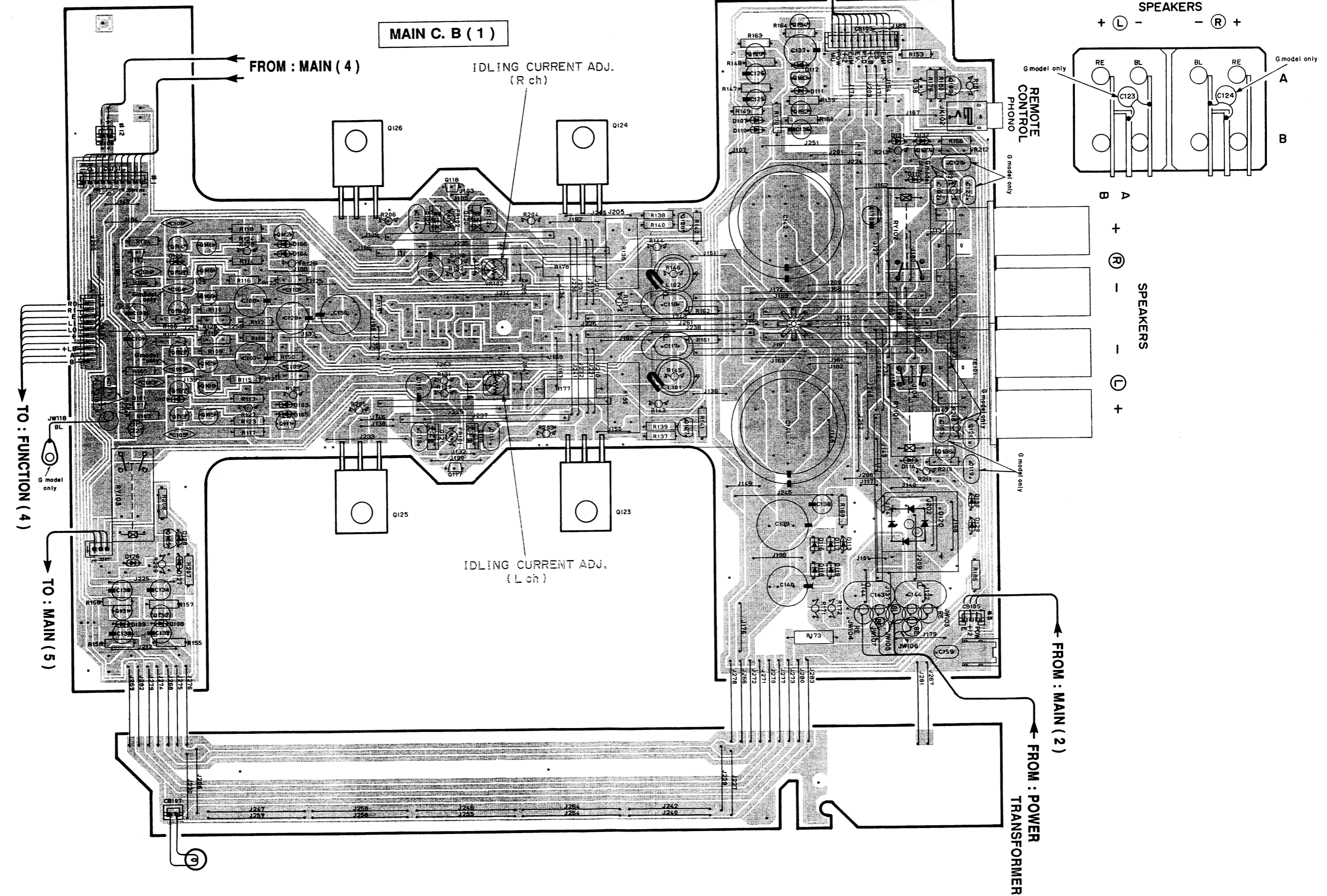
■ BLOCK DIAGRAM



PRINTED CIRCUIT BOARD (Foil side)

Note) 文字面 : Component side

TO : FUNCTION (1)



PRINTED CIRCUIT BOARD (Foil side)

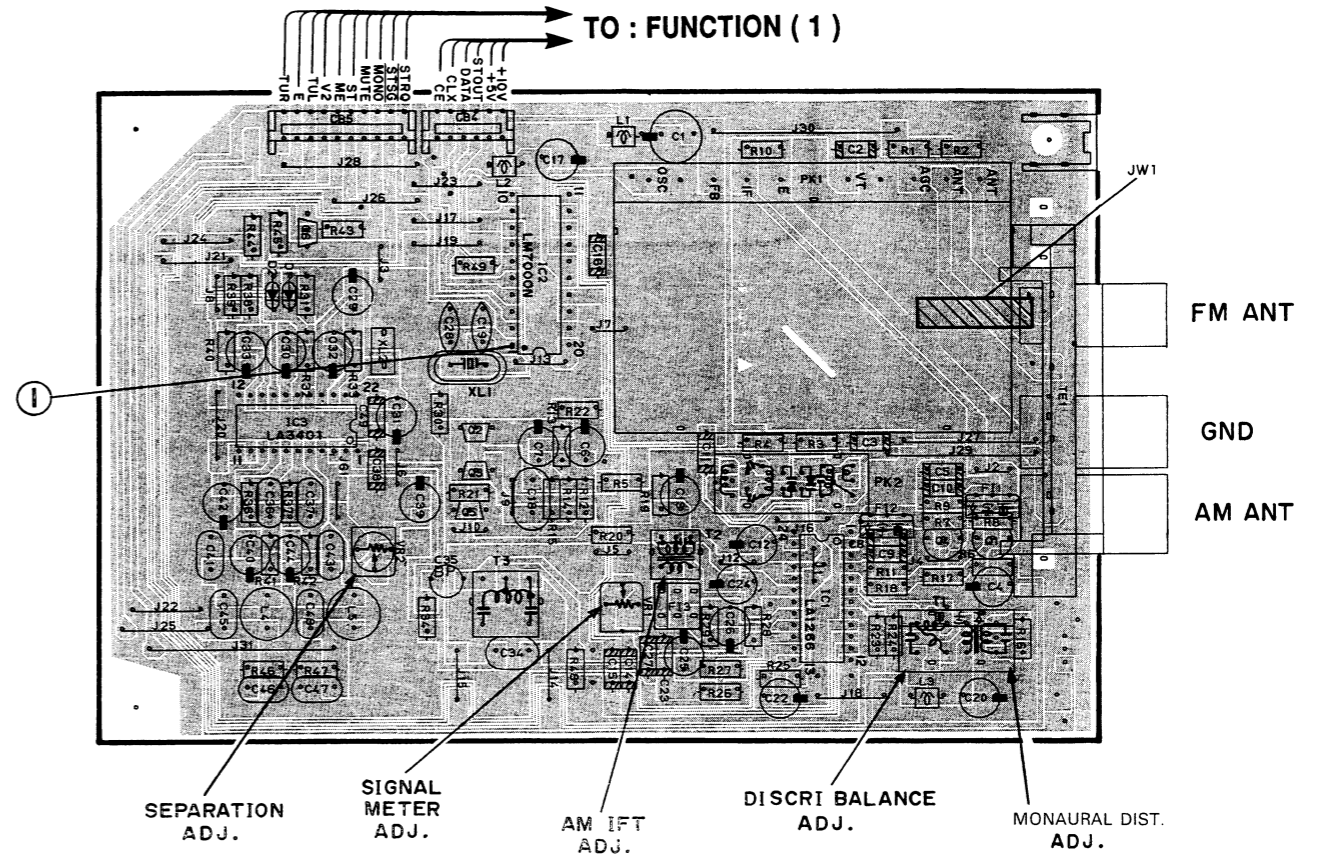
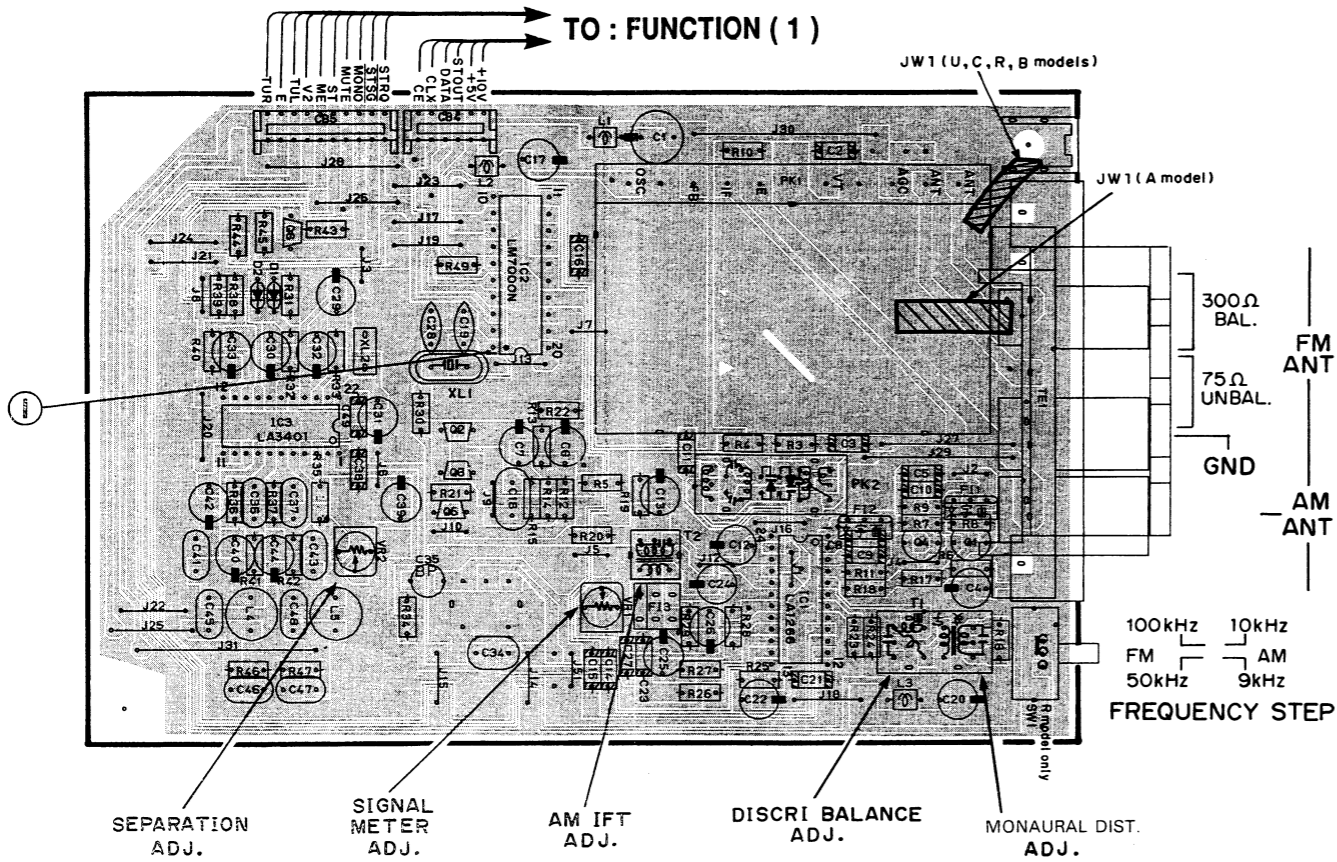
Note) 文字面 : Component side

① : WAVEFORM OF TEST POINT (See page 28)

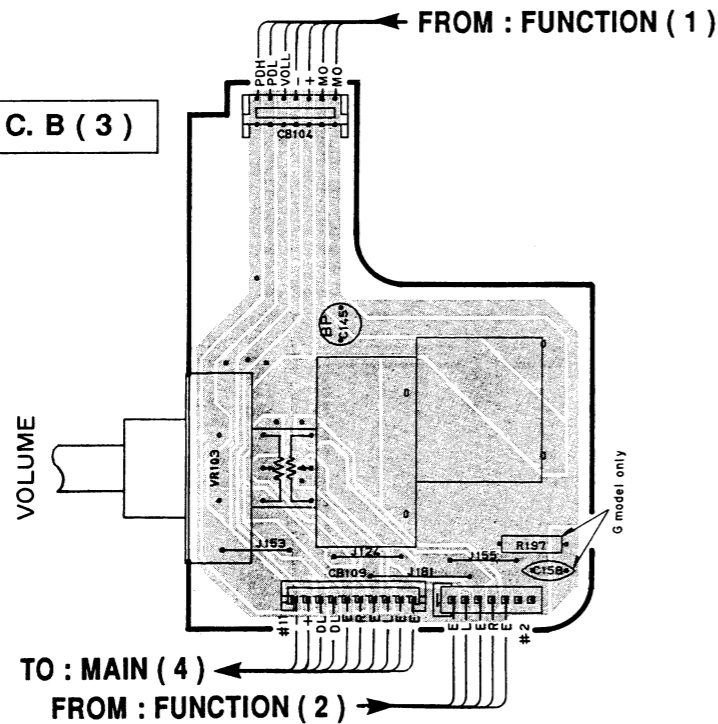
TUNER C. B (1)

● Except G model

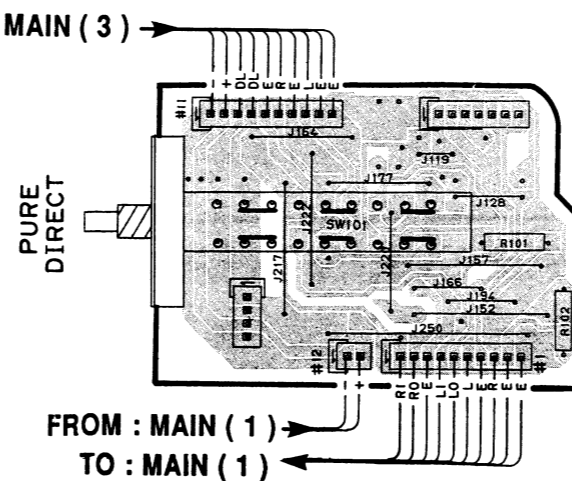
● G model



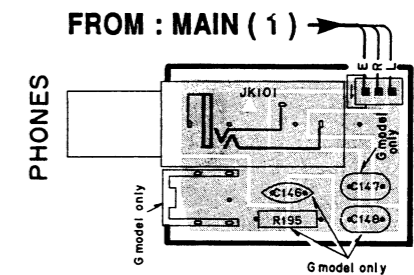
MAIN C. B (3)



MAIN C. B (4)



MAIN C. B (5)

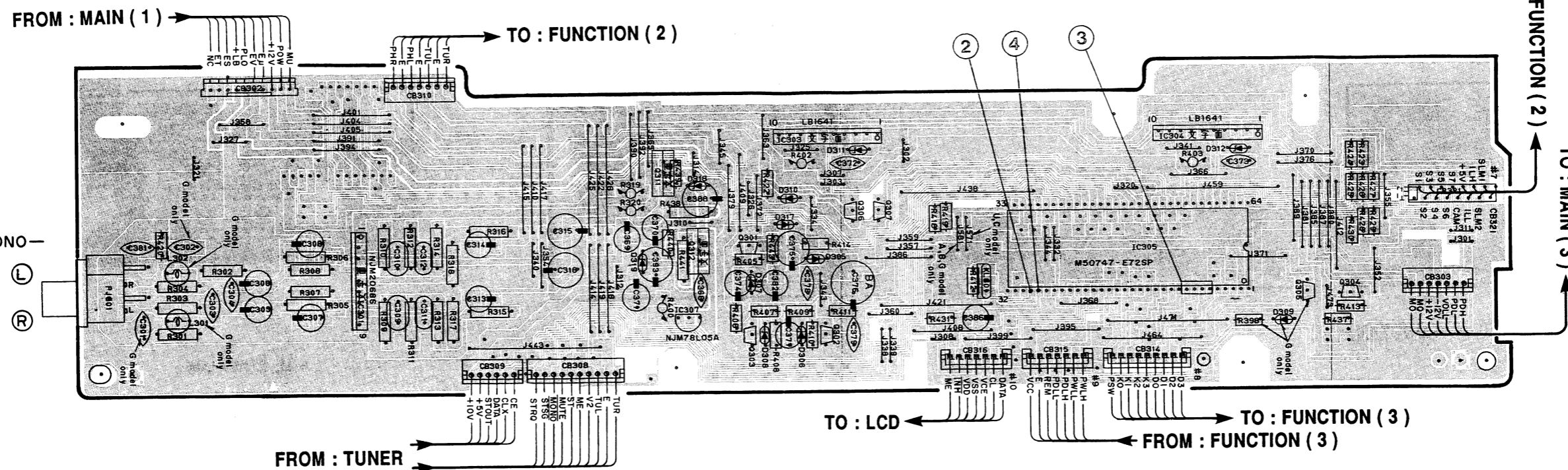


PRINTED CIRCUIT BOARD (Foil side)

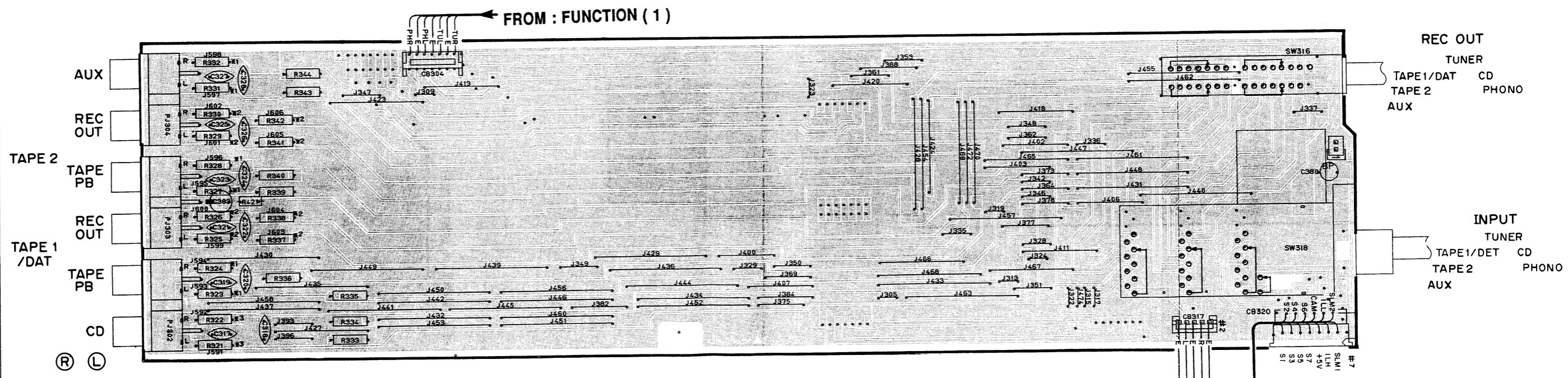
Note) 文字面 : Component side

② to ④ : WAVEFORM OF TEST POINT (See page 30)

FUNCTION C. B (1)



FUNCTION C. B (2)

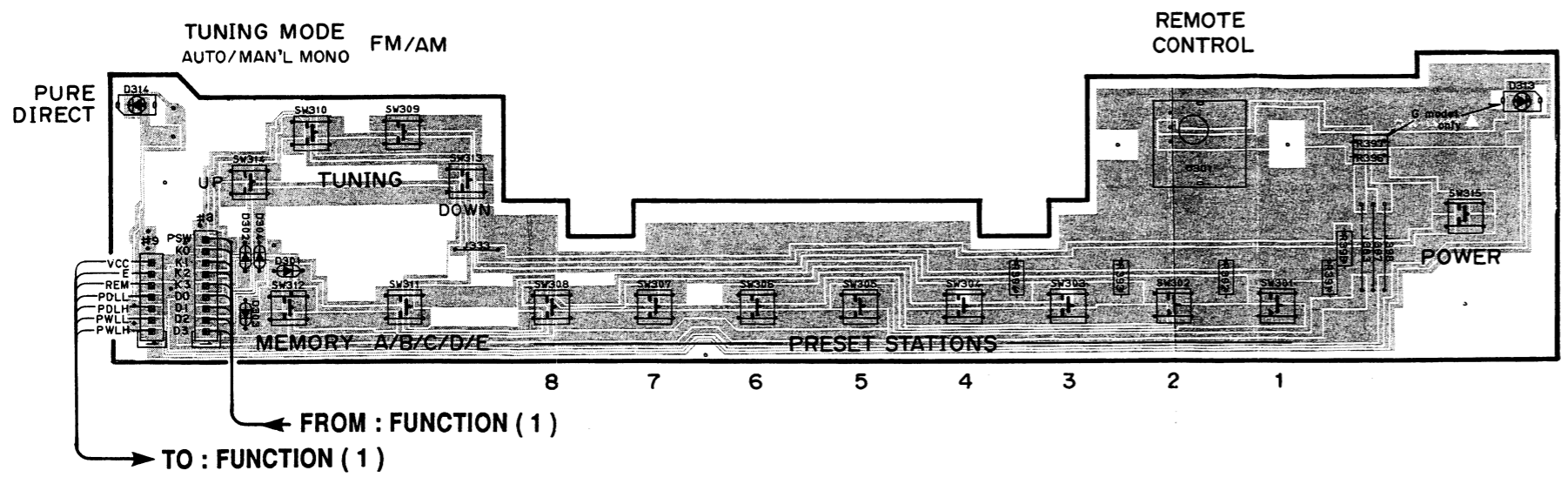


	U,C	R	A,B	G
*1	R323, 324, 327, 328 331, 332	SHORT		100
*2	R325, 326, 329, 330 337, 338, 341, 342	SHORT		220
*3	R321, 322	SHORT		PSN-B 100

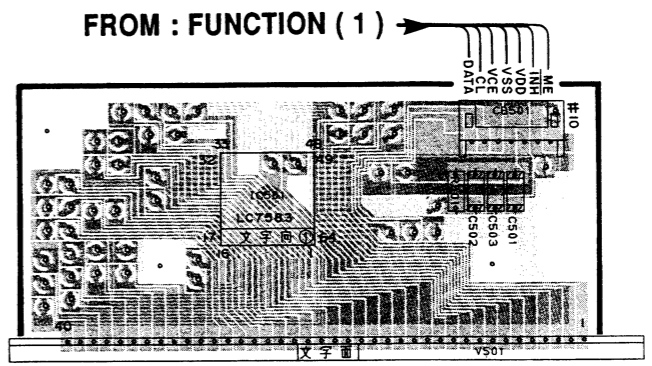
PRINTED CIRCUIT BOARD (Foil side)

Note) 文字面 : Component side

FUNCTION C. B (3)



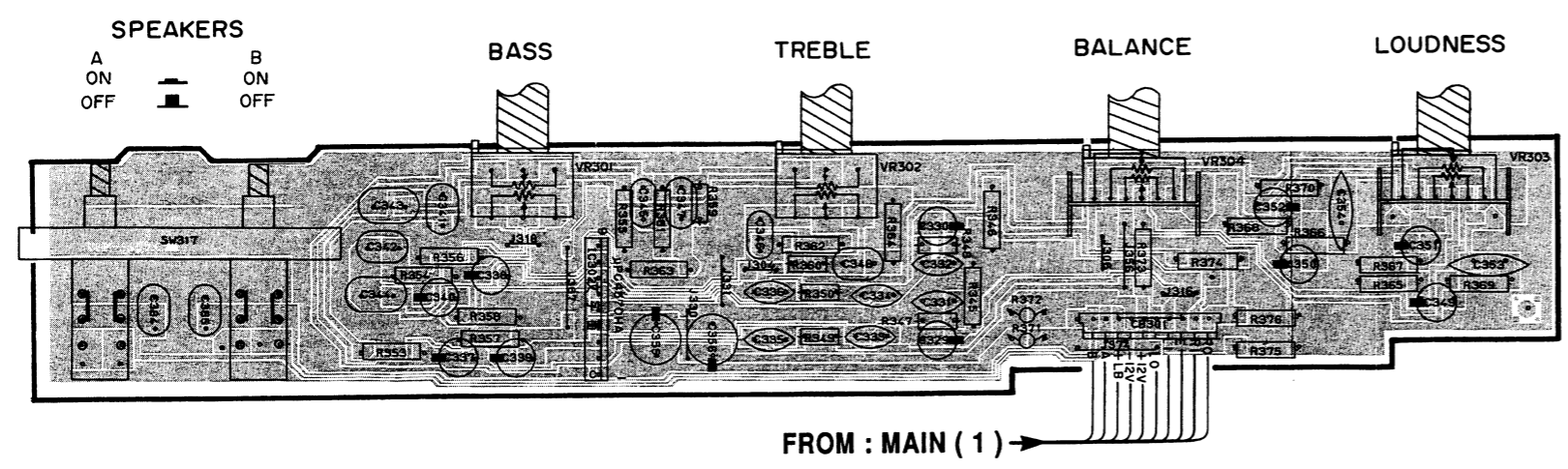
LCD C. B



U, C models

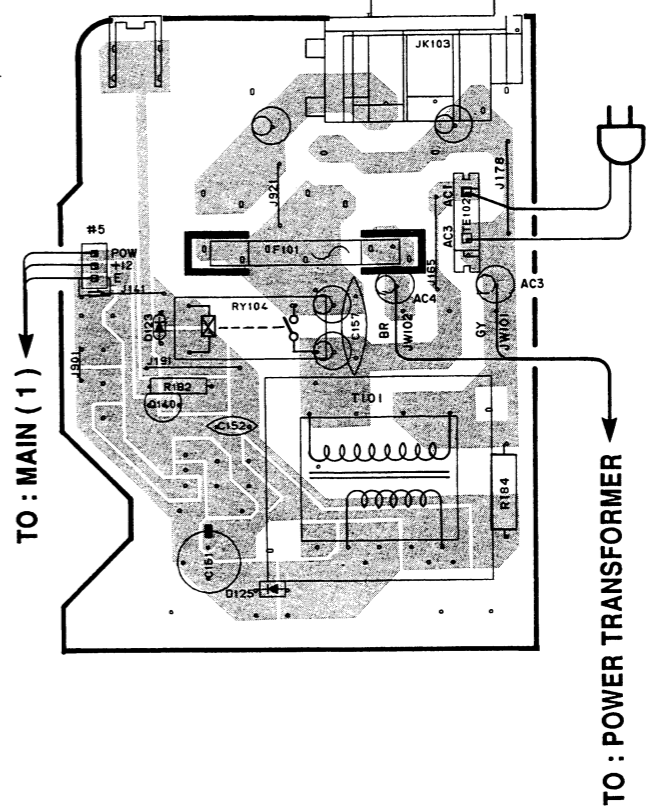
MAIN C. B (2)

FUNCTION C. B (4)



AC OUTLETS
SWITCHED
120V 60Hz
200W MAX. TOTAL
(U model)

AC OUTLETS
SWITCHED
120V 60Hz
100W MAX. TOTAL
0.8A MAX. TOTAL
(C model)



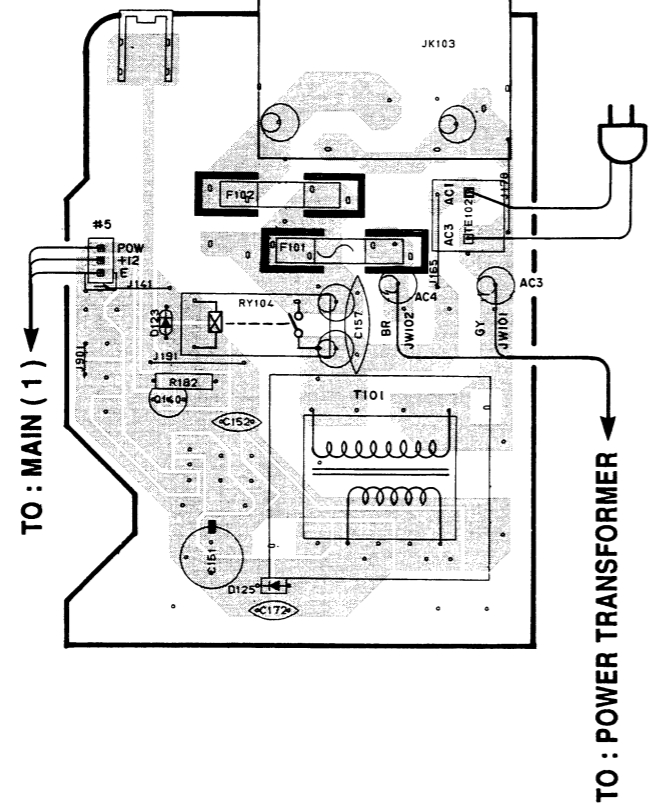
PRINTED CIRCUIT BOARD (Foil side)

Note) 文字面 : Component side

● G model

MAIN C. B (2)

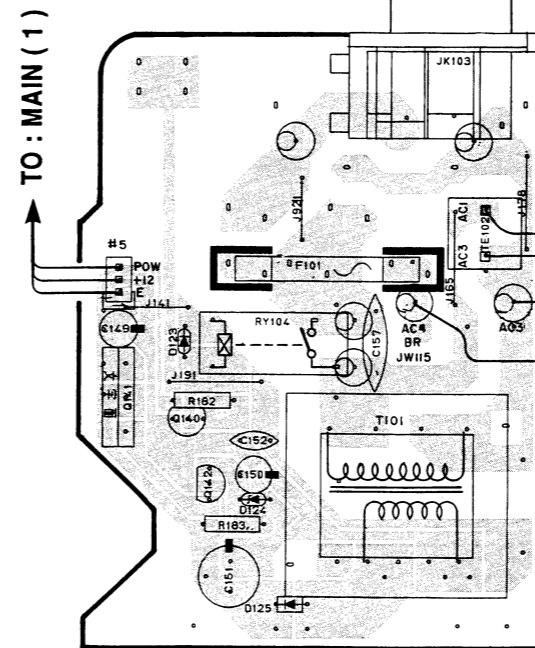
AC OUTLETS
SWITCHED
100W MAX. TOTAL



● R model

MAIN C. B (2)

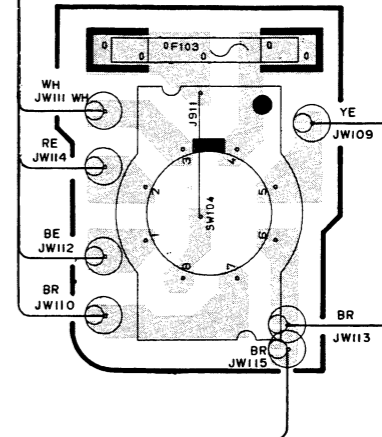
AC OUTLETS
SWITCHED
200W MAX. TOTAL



MAIN C. B (6)

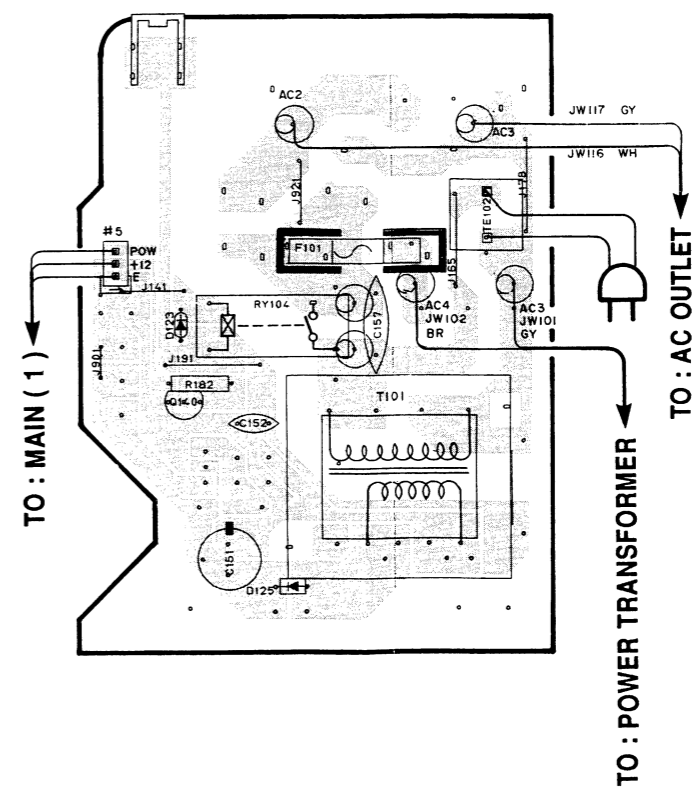
TO : POWER TRANSFORMER

VOLTAGE
SELECTOR

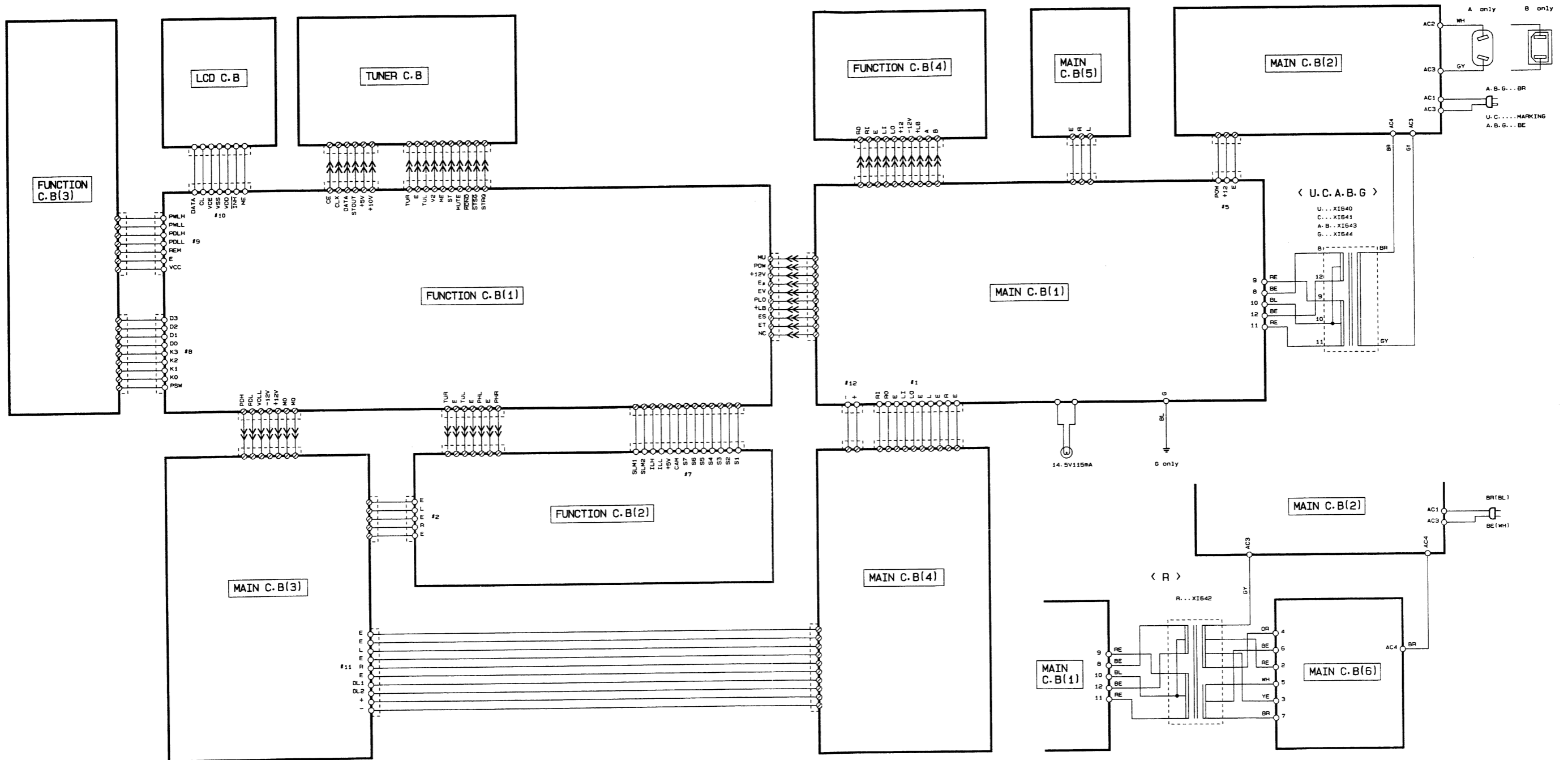


● A, B models

MAIN C. B (2)

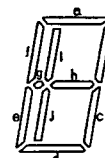
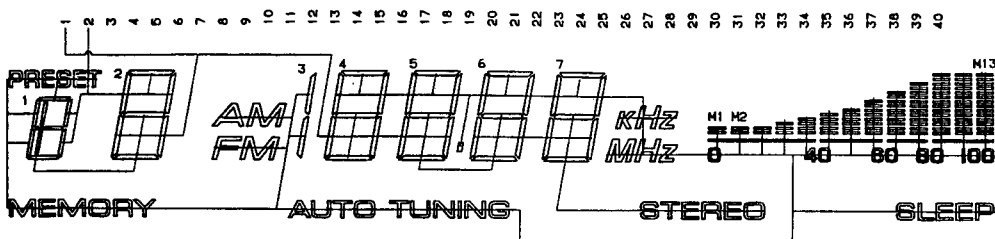
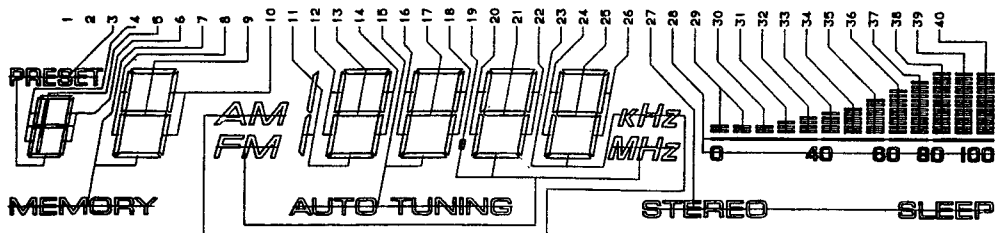


INTERCONNECT WIRING DIAGRAM



■ DISPLAY DATA

● V501: LCD8159B1JP



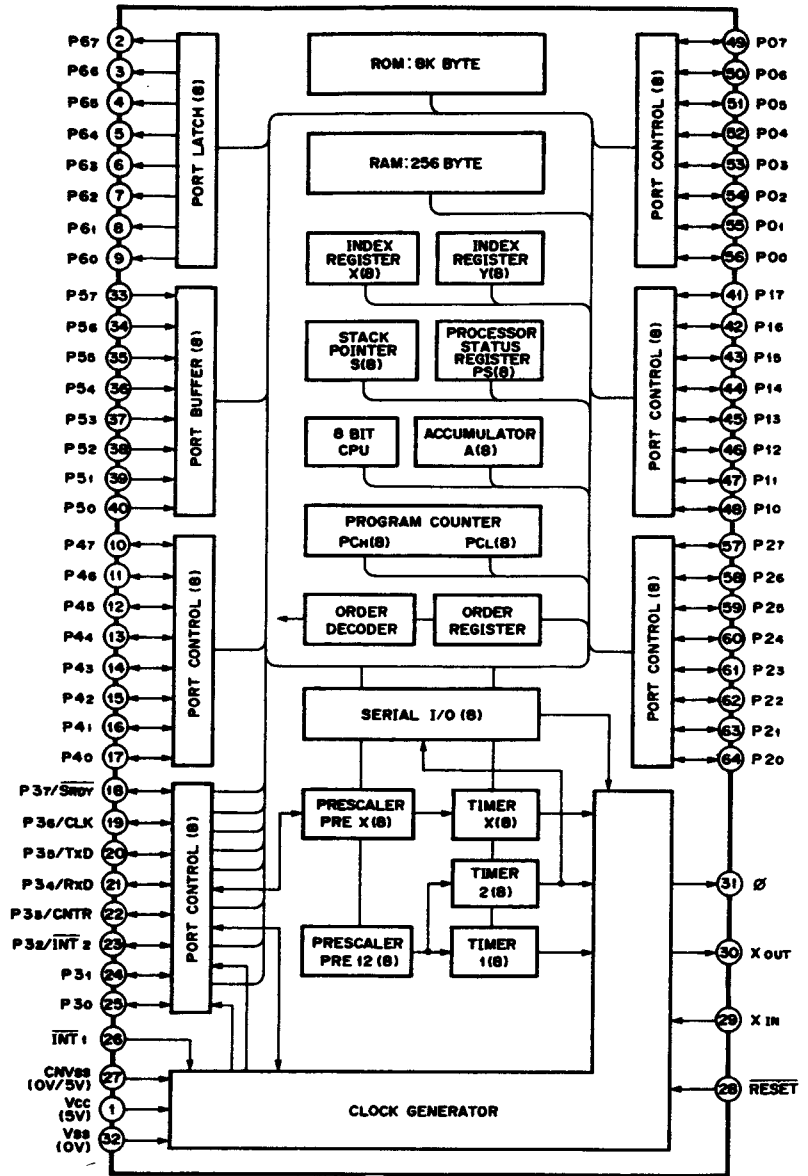
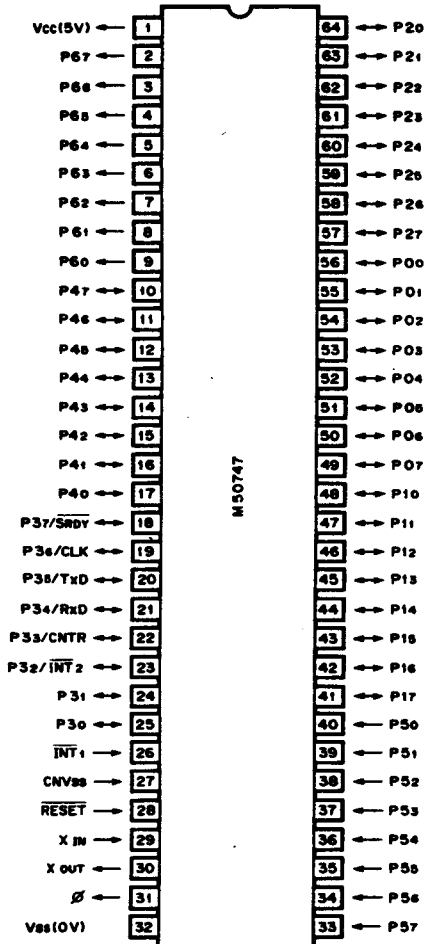
No.	COM1	COM2	No.	COM1	COM2	No.	COM1	COM2	No.	COM1	COM2
1	—	COM	11	3 bc	4 d	21	6 a	6 g	31	M4	—
2	COM	—	12	4 f	4 e	22	6 b	6 c	32	M5	—
3	PRESET	1 d	13	4 a	4 g	23	AM KHz	7 d	33	M6	—
4	1 ef	1 g	14	4 b	4 c	24	7 f	7 e	34	M7	—
5	1 a	1 ij	15	AUTO TUNING	5 d	25	7 a	7 g	35	M8	—
6	1 bc	1 h	16	5 f	5 e	26	7 b	7 c	36	M9	—
7	MEMORY	2 d	17	5 a	5 g	27	SLEEP	STEREO	37	M10	—
8	2 f	2 e	18	5 b	5 c	28	1)	—	38	M11	—
9	2 a	2 g	19	FM, DP MHz	6 d	29	M1, M2	—	39	M12	—
10	2 b	2 c	20	6 f	6 e	30	M3	—	40	M13	—

1) : 0 40 60 80 100

RX-550

■ IC DATA

IC305 : M50747
8bit μ-COM



Tuner Market Select (Table A)

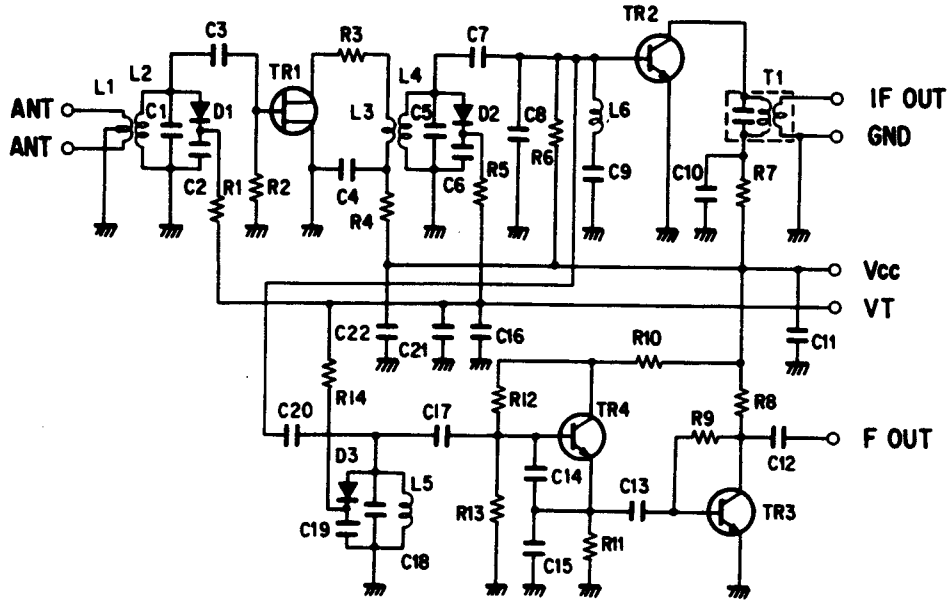
A1 (34)	A2 (33)	Market
0	0	J
1	0	A, B, G
0	1	U, C
1	1	R

RX-550

Pin No.	Pin name	Function Name	I/O	Description
1	Vcc	Vcc	—	+5V
2	P67	STBY	O	LED for Stand By
3	P66		O	N.C.
4	P65		O	
5	P64	VRLED	O	LED for Volume, ON/OFF (N.C.)
6	P63	D3	O	KEY DIGIT
7	P62	D2	O	
8	P61	D1	O	
9	P60	D0	O	
10	P47	K3	I	KEY IN
11	P46	K2	I	
12	P45	K1	I	
13	P44	K0	I	
14	P43	PSW	I	POWER SW
15	P42		I/O	N.C.
16	P41		I/O	
17	P40		I/O	
18	P37/SRDY		O	
19	P36/CLK	CL	O	LC7583, Clock
20	P35/TXD	DATA	O	LC7583, Data
21	P34/RXD		I/O	N.C.
22	P33/CNTR	CE	O	LC7583, Chip enable
23	P32/INT2	INH	O	LC7583, Drive OFF
24	P31	Area	O	INITIAL High
25	P30	CLK	O	LC7583, External Clock
26	INT1	REM	I	Remote Control Input
27	CNVSS	CN Vss	—	GND
28	RESET	RES	I	Reset
29	X IN	X IN	—	Clock (8MHz)
30	X OUT	X OUT	—	
31	φ		O	N.C.
32	Vss	Vss	—	GND
33	P57	A2	I	Tuner Market Select (Table A)
34	P56	A1	I	
35	P55	ST	I	Stereo
36	P54	STSIG	I	Stop Signal (Station Detector)
37	P53	STOUT	I	IF Count OK signal
38	P52		I	N.C.
39	P51	REM	I	Remote Control Input
40	P50	PODN	I	Power Down Detect
41	P17	STRQ	O	IF Count Request
42	P16	CE	O	LM7000, Chip enable
43	P15	CL	O	LM7000, Clock
44	P14	DA	O	LM7000, Data
45	P13	MONO	O	Monoural
46	P12	TMUTE	O	Tuner Mute
47	P11	V2	O	Video Select (Not Use) V2 : VCR V1 : LD
48	P10	V1	O	
49	P07	POW	O	Main Relay ON
50	P06	PLO	O	Player RS Control
51	P05	MUTE	O	Muting
52	P04	AMUT	O	N.C. (Audio Mute, -20dB)
53	P03	VLDN	O	Volume Control DOWN UP
54	P02	VLUP	O	
55	P01	ISL	O	Input Selector Control Turn Left Turn Right
56	P00	ISR	O	
57	P27	CAM	I	Input Selector, Timing
58	P26	S1	I	Input Selector, Position Detect
59	P25	S2	I	
60	P24	S3	I	
61	P23	S4	I	
62	P22	S5	I	
63	P21	S6	I	
64	P20	S7	I	

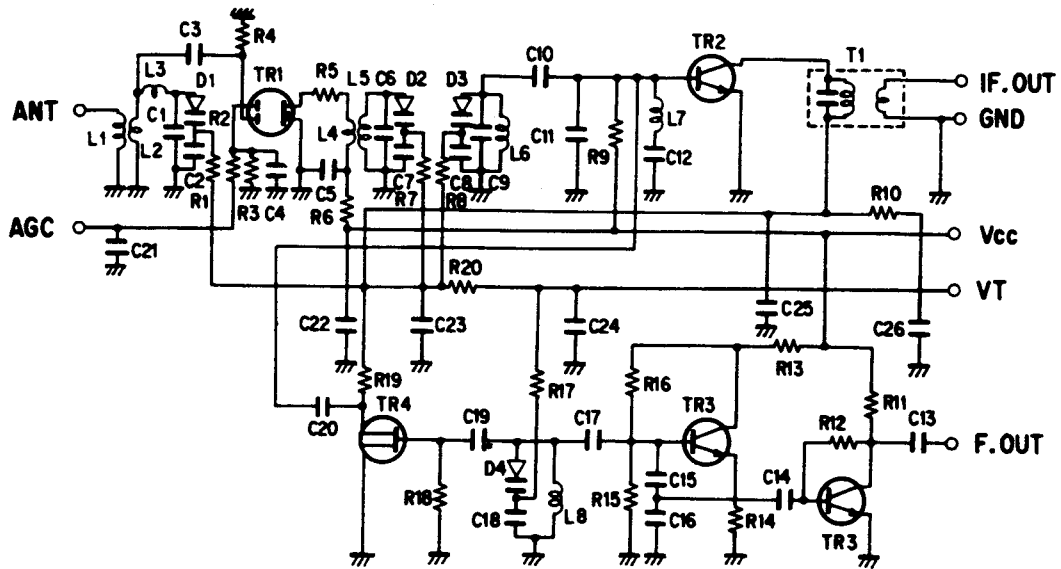
■ FRONT END PACK

● Except G model



RX-550

● G model only



SCHEMATIC DIAGRAM (TUNER & LCD)

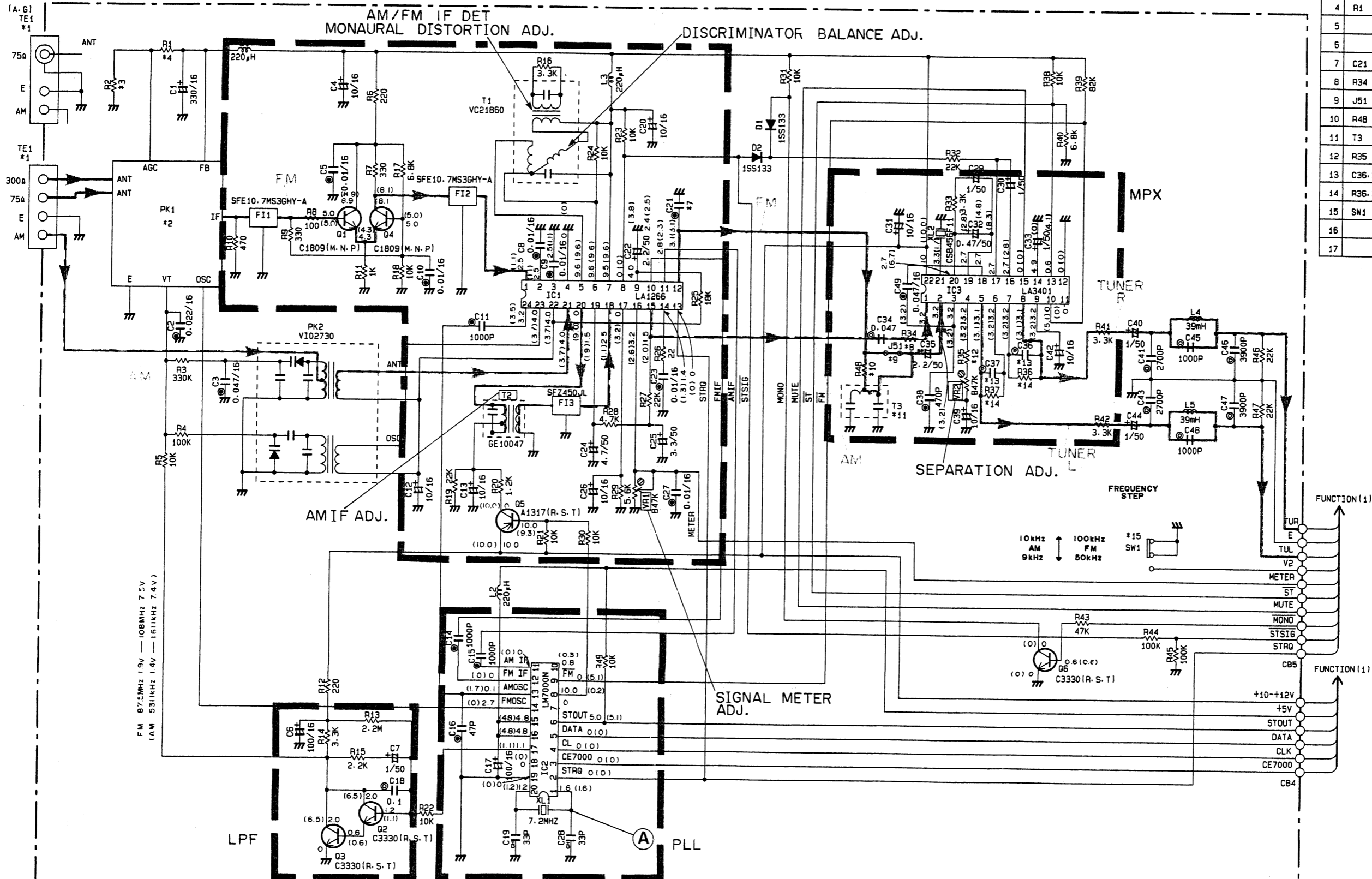
Each voltage given here represents that in the FM (88MHz, STEREO) reception mode but the one in the parentheses () is that in the AM (1404kHz) reception mode.

RESISTOR	
REMARKS	PARTS NAME
NO MARK	CARBON FILM RESISTOR (1/6W)
□	CARBON FILM RESISTOR (1/4W)
△	METAL OXIDE FILM RESISTOR
▲	METAL FILM RESISTOR
⊗	METAL PLATE RESISTOR
⊠	FIRE PROOF CARBON FILM RESISTOR
□	CEMENT MOLDED RESISTOR
⊖	SEMI VARIABLE RESISTOR
■	CHIP RESISTOR

CAPACITOR	
REMARKS	PARTS NAME
NO MARK	ELECTROLYTIC CAPACITOR
⊗	TANTALUM CAPACITOR
NO MARK	CERAMIC CAPACITOR
⊙	AXIAL LEAD CERAMIC CAPACITOR
⊖	POLYESTER FILM CAPACITOR
○	POLYSTYRENE FILM CAPACITOR
⊖	MICA CAPACITOR
⊖	POLYPROPYLENE FILM CAPACITOR
⊖	SEMICONDUCTIVE CERAMIC CAPACITOR

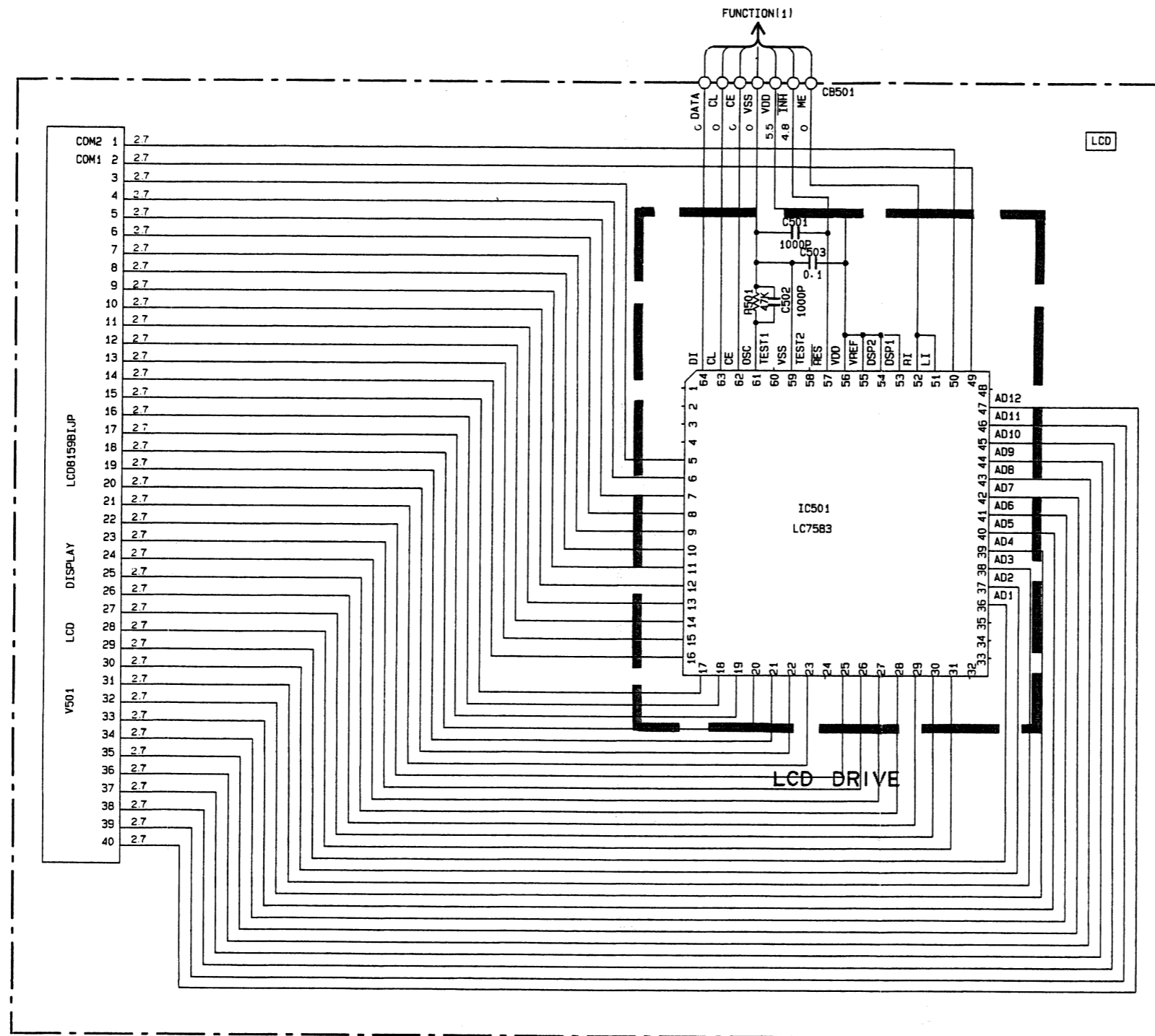
NOTICE
 (J)..... Japanese model
 (U)..... U.S.A model
 (C)..... Canadian model
 (A)..... Australian model
 (G)..... European model
 (B)..... British model
 (R)..... General model
 (P)..... RP model

#		U.C	R	A	VAB
1	TE1	VA84590		LA00580	VAB
2	PK1	VK20E50			
3	R2	OPEN			
4	R1	OPEN			
5					
6					
7	C21	100P			
8	R34	10K			
9	J51	SHORT			
10	R48	OPEN			
11	T3	OPEN			
12	R35	22K			
13	C36, 37	680P/100		470P/100	
14	R36, 37	100K			
15	SW1	OPEN	VF54120	OPEN	
16					
17					



FM 87.5MHz 19V — 108MHz 7.5V
 (AM 531kHz 1.4V — 1611kHz 7.4V)

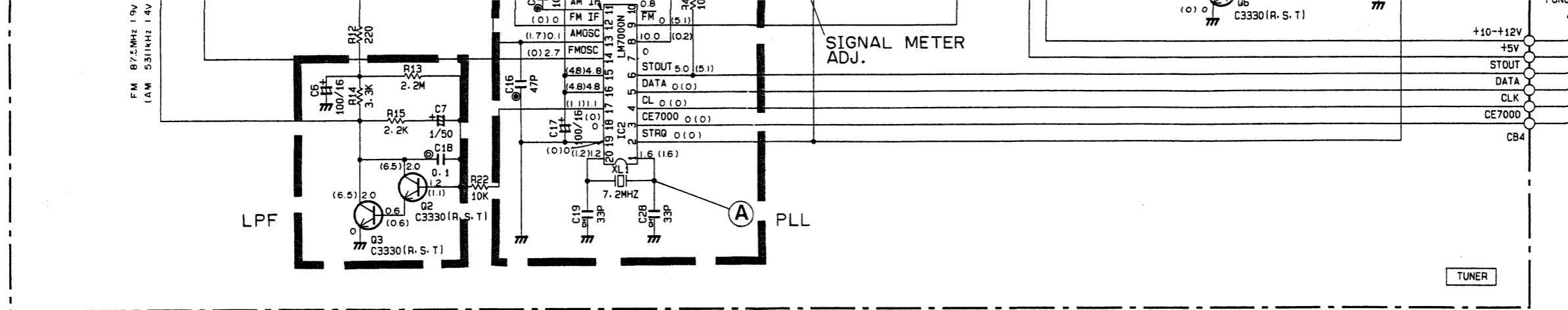
A	B	G
LA00580	VAB4590	LA00580
		VC21940
		390K
		470K
		OPEN
		22K
		OPEN
		4.7K
		GE20053
		SHORT
470P/100		390P/100
		120K
OPEN		



	LAST NO.
C	49
R	49
Q	6
D	2
IC	3

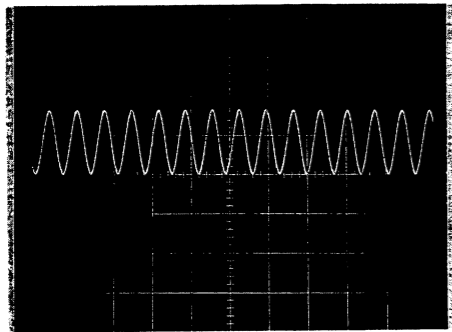
	LAST NO.
C	503
R	501
Q	
D	

6



7

Point ①: X IN
 (Pin 1 of IC2)
 V : 0.2V/div H : 0.2μsec/div
 DC range 10 : 1 probe

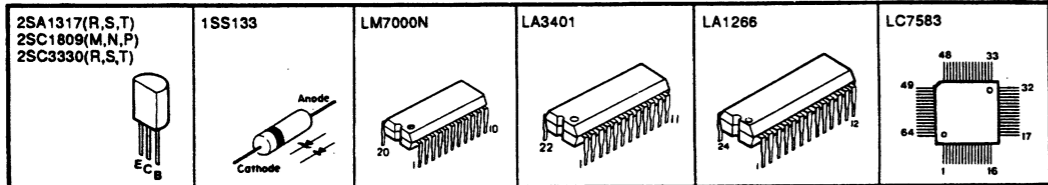


8

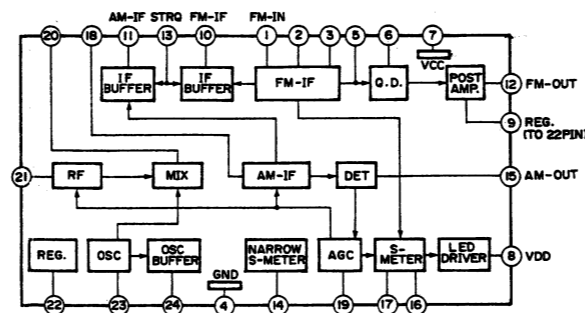
9

10

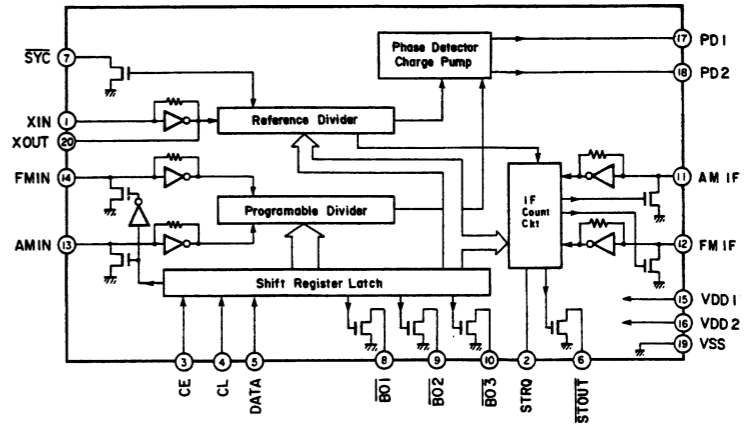
PIN CONNECTION DIAGRAM OF TRANSISTORS, DIODES AND ICs.



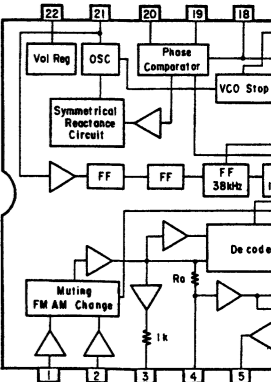
**IC1 : LA1266
 AM/FM IF**



**IC2 : LM700N
 PLL Controller**



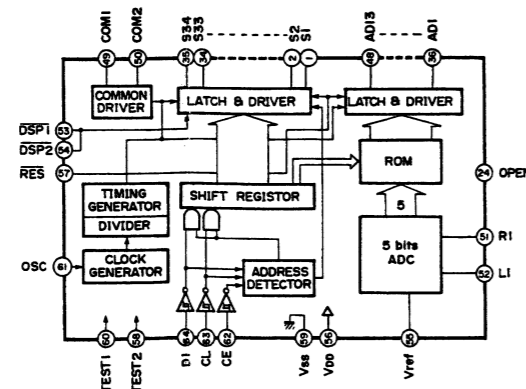
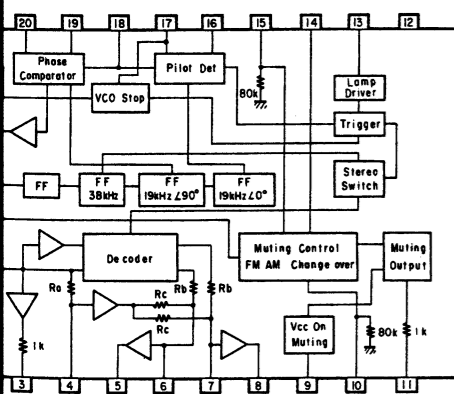
**IC3 : LA3401
 MPX**



LAST NO.	
C	49
R	49
Q	6
D	2
IC	3

LAST NO.	
C	503
R	501
Q	
D	
IC	501

IC501 : LC7583
LCD Driver



- * All voltage are measured with a 10MΩ/V DC electric volt meter.
- * Components having special characteristics are marked Δ and must be replaced with parts having specifications equal to those originally installed.
- * Schematic diagram is subject to change without notice.

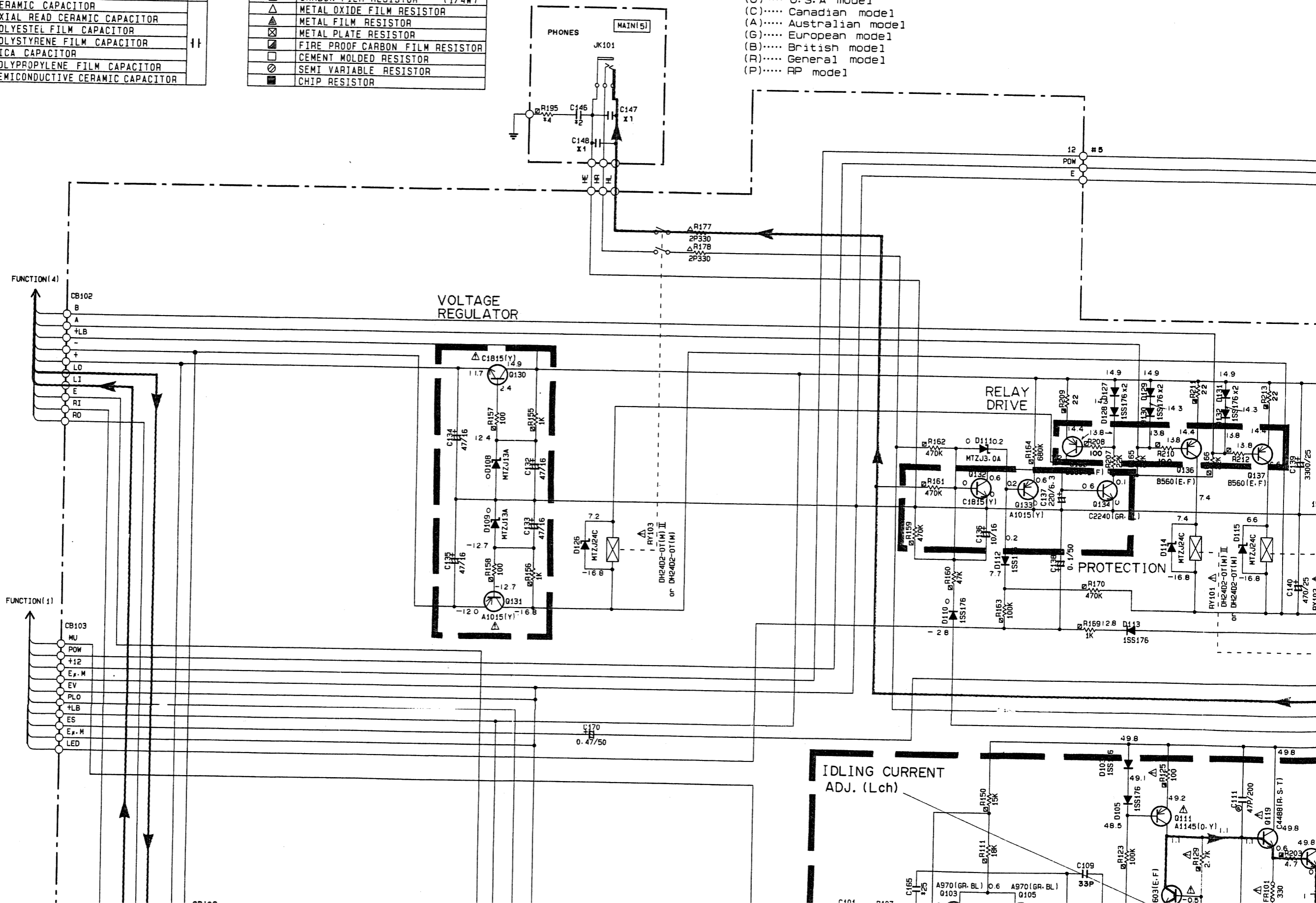
SCHEMATIC DIAGRAM (MAIN)

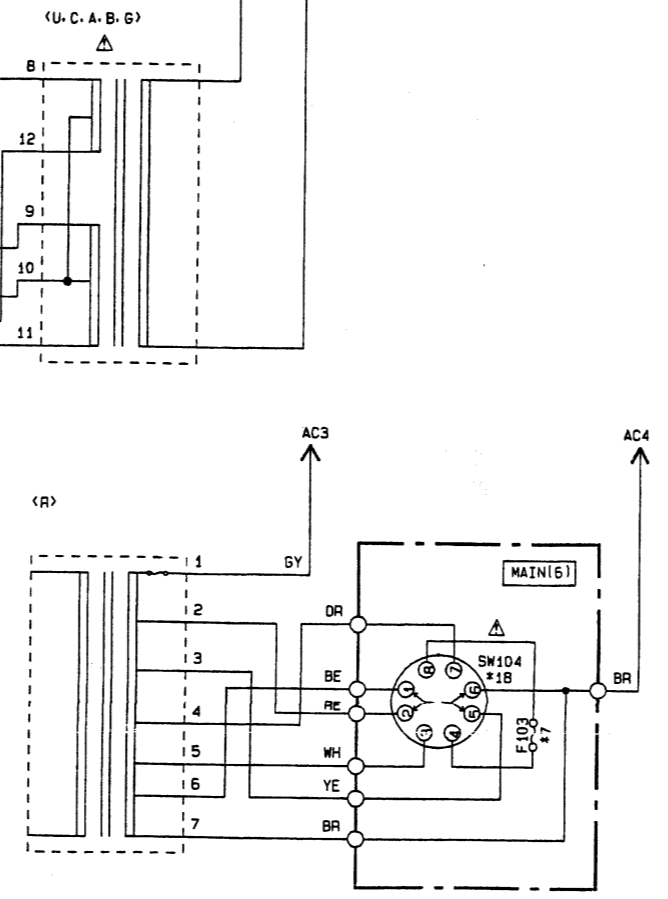
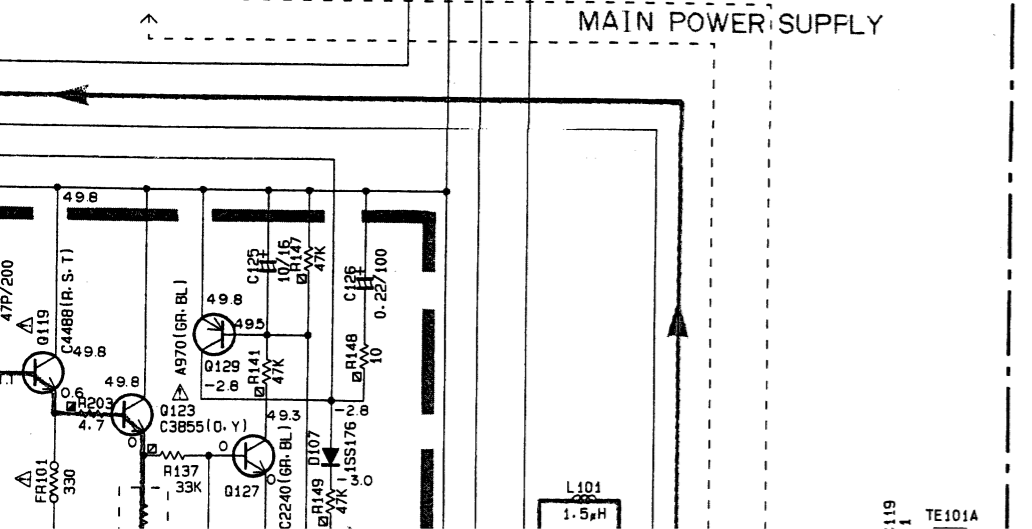
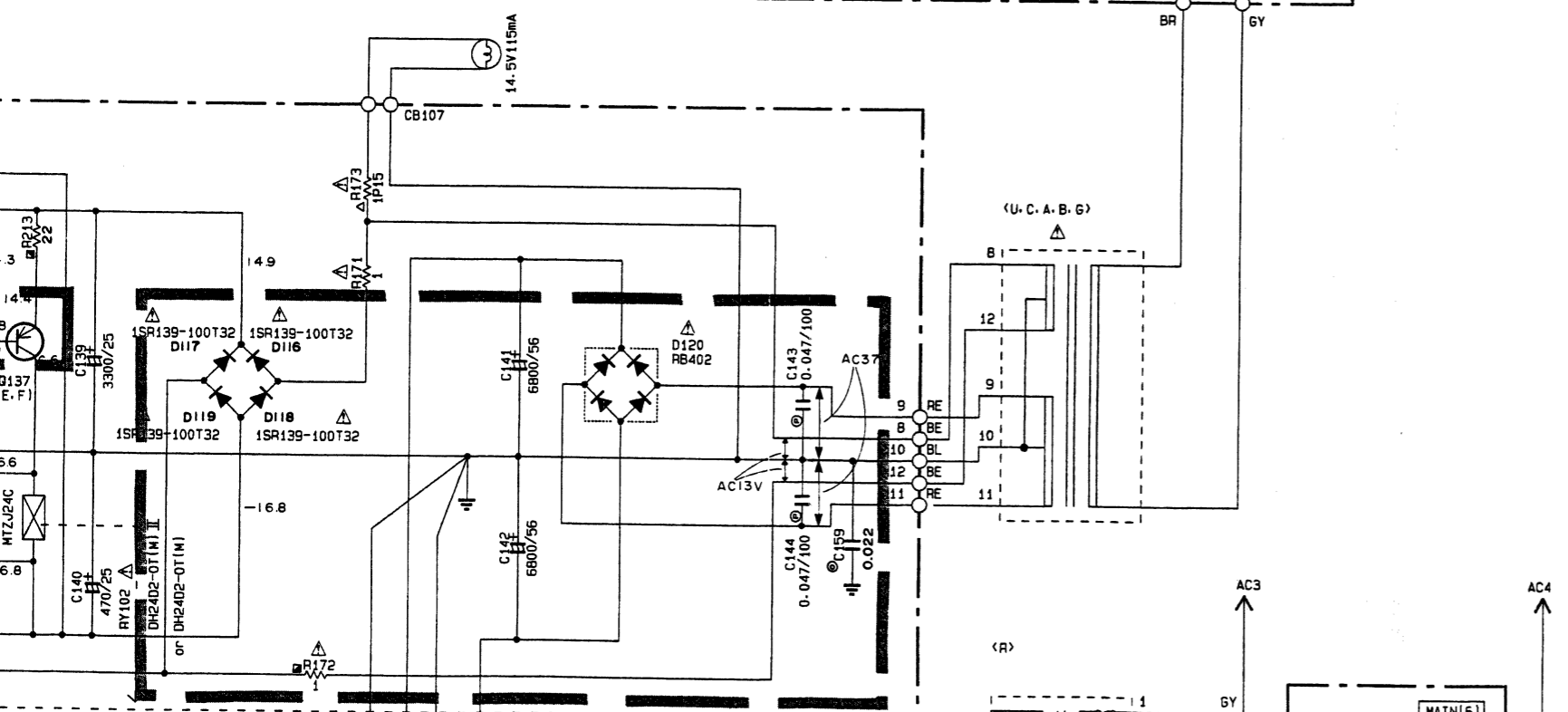
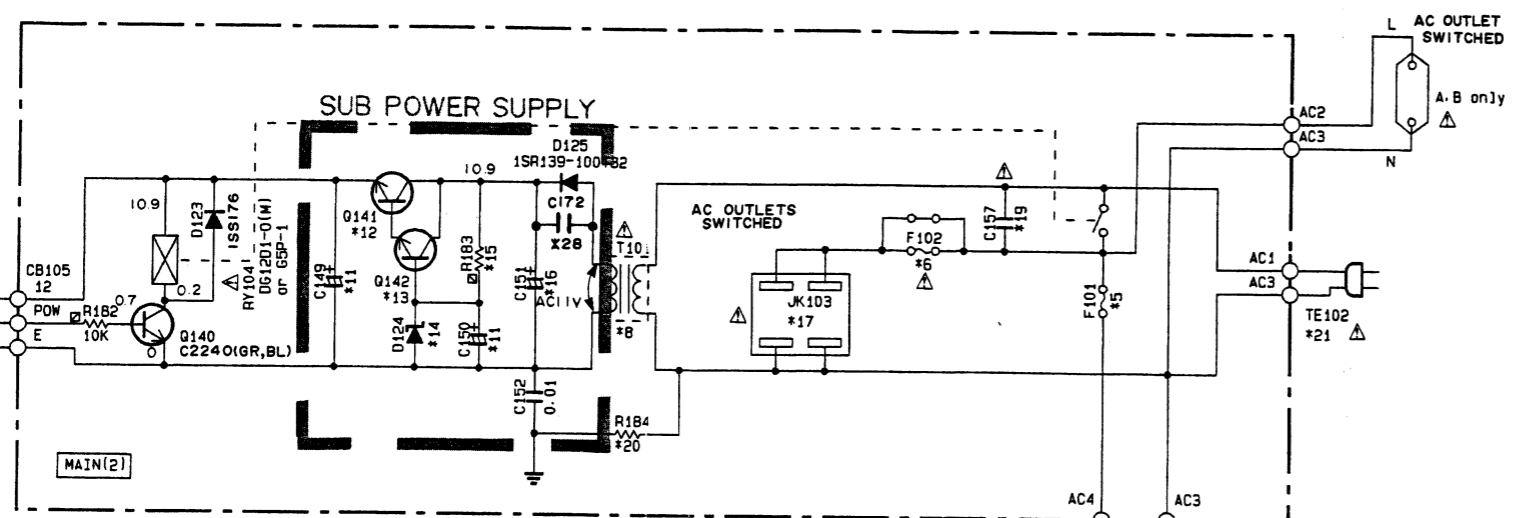
CAPACITOR	
REMARKS	PARTS NAME
NO MARK	ELECTROLYTIC CAPACITOR
⊗	TANTALUM CAPACITOR
NO MARK	CERAMIC CAPACITOR
⊙	AXIAL LEAD CERAMIC CAPACITOR
⊖	POLYESTER FILM CAPACITOR
○	POLYSTYRENE FILM CAPACITOR
Ⓜ	MICA CAPACITOR
⊕	POLYPROPYLENE FILM CAPACITOR
●	SEMICONDUCTIVE CERAMIC CAPACITOR

RESISTOR	
REMARKS	PARTS NAME
NO MARK	CARBON FILM RESISTOR (1/6W)
□	CARBON FILM RESISTOR (1/4W)
△	METAL OXIDE FILM RESISTOR
⊠	METAL FILM RESISTOR
⊞	METAL PLATE RESISTOR
⊞	FIRE PROOF CARBON FILM RESISTOR
□	CEMENT MOLDED RESISTOR
⊞	SEMI VARIABLE RESISTOR
■	CHIP RESISTOR

NOTICE

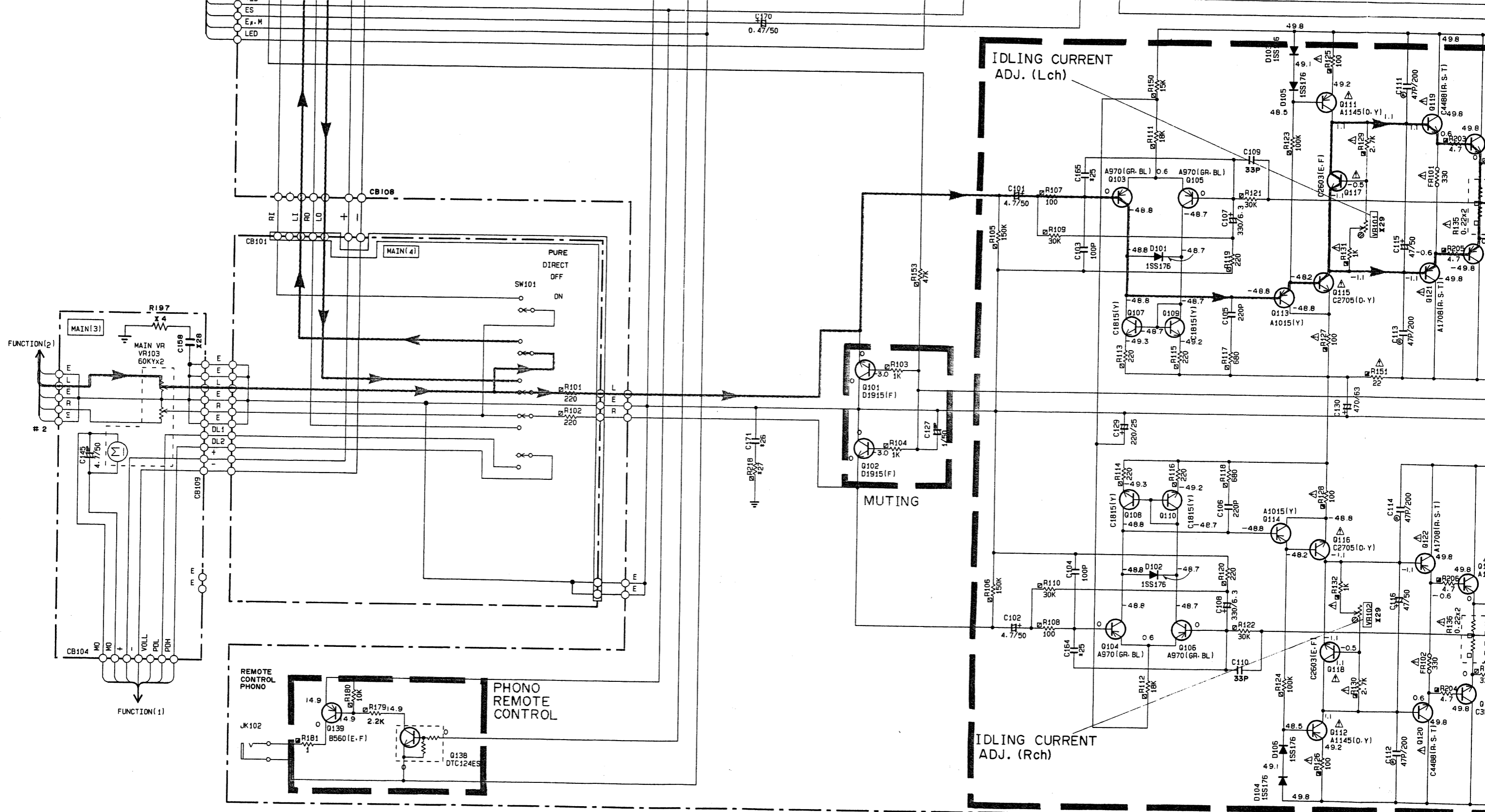
- (J)..... Japanese model
- (U)..... U.S.A model
- (C)..... Canadian model
- (A)..... Australian model
- (G)..... European model
- (B)..... British model
- (R)..... General model
- (P)..... AP model





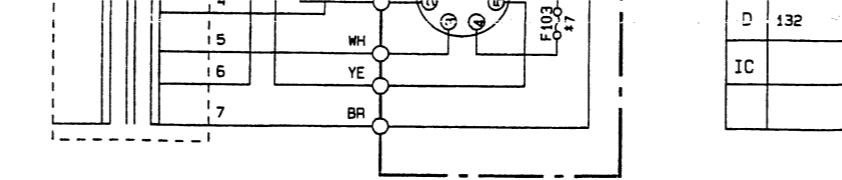
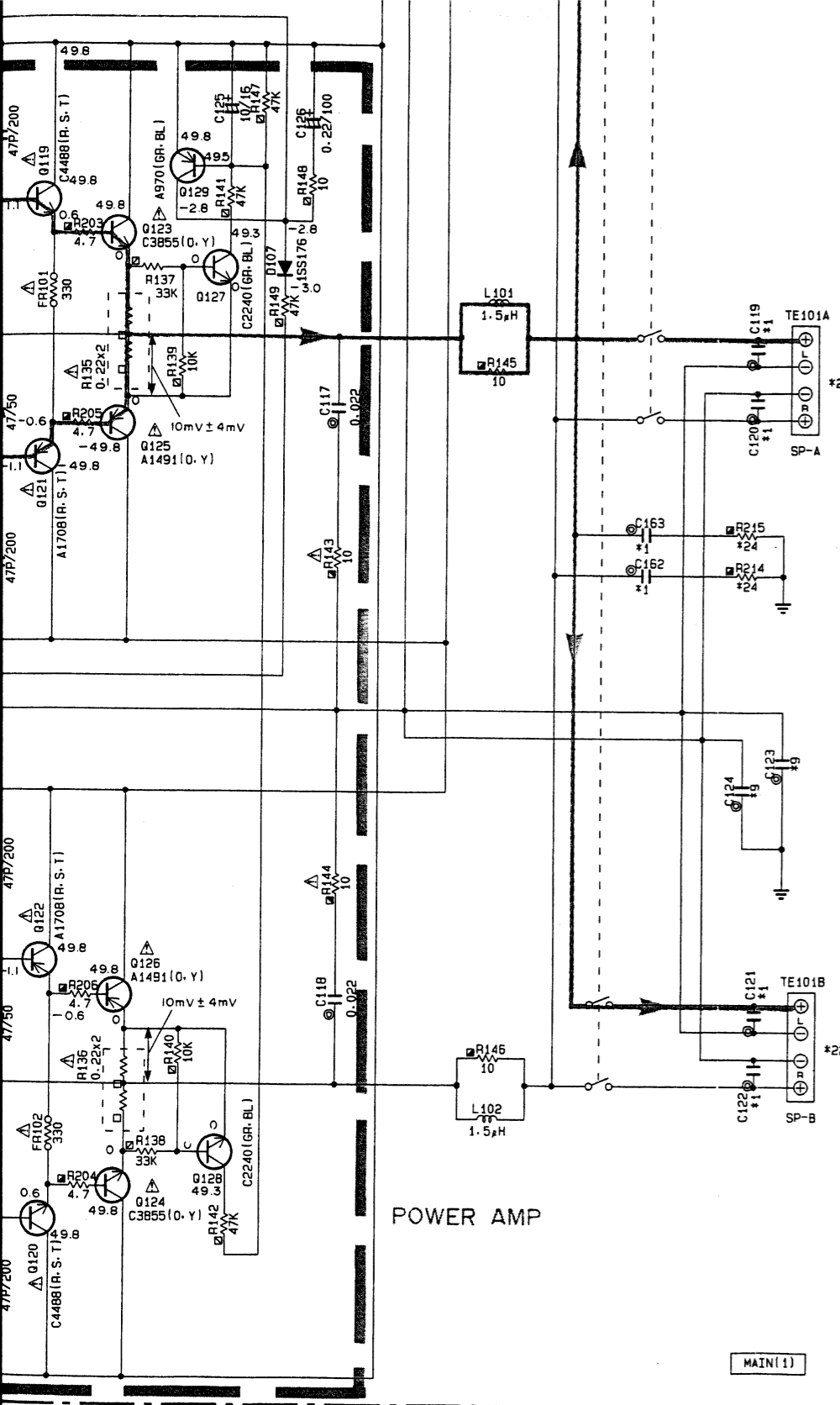
LAST NO.	
C	171
R	218
G	142
D	132
IC	

#	U	C	R	A-B	G
1	C119-122,147 162-163,148	OPEN			0.01
2	C146	OPEN			0.01
3					



PIN CONNECTION DIAGRAM OF TRANSISTORS, DIODES AND ICs.

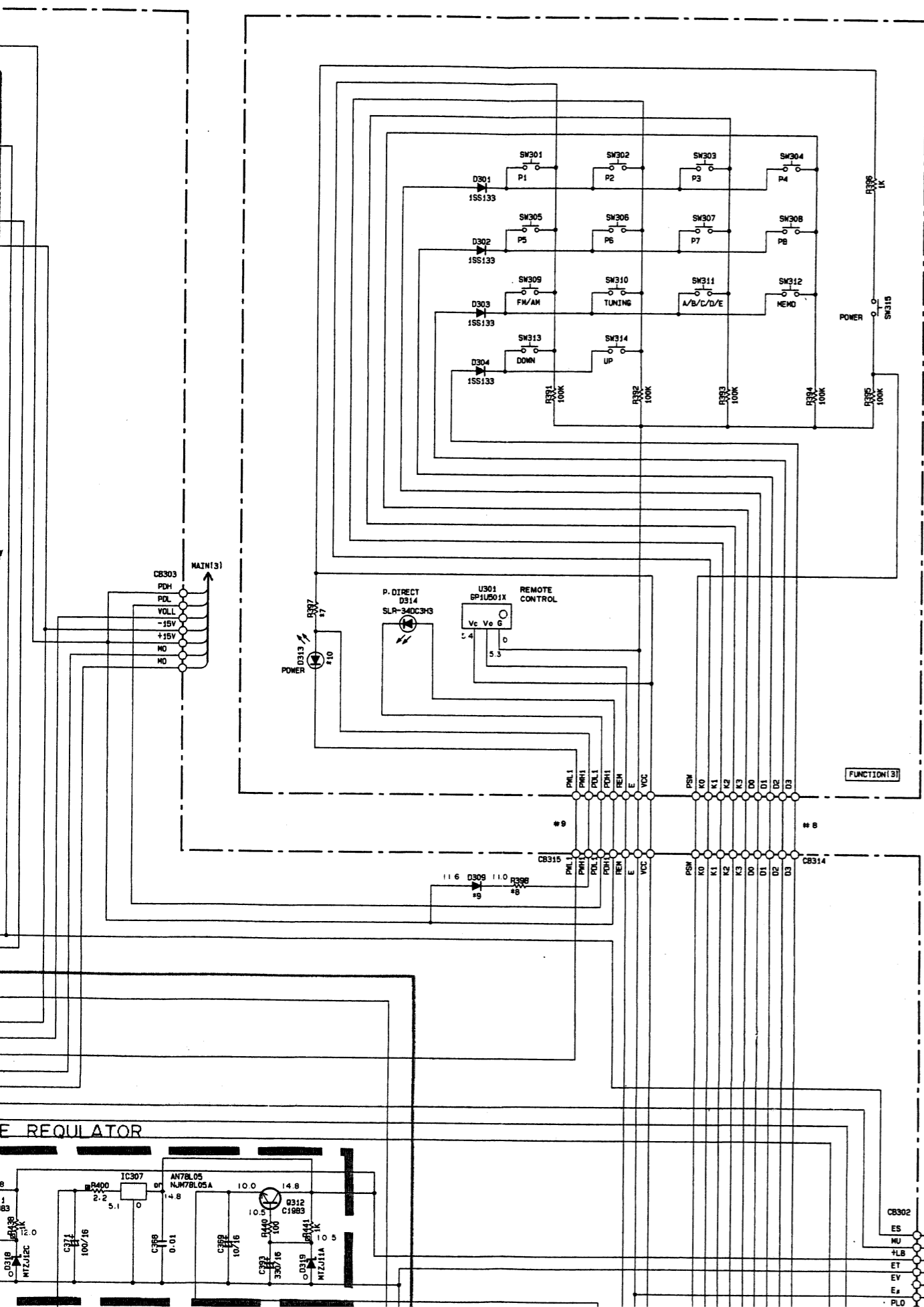
2SA970(GR, BL) 2SA1015(Y) 2SA1145(O, Y) 2SB560(E, F) 2SC1815(Y) 2SC2246(GR, BL) 2SC2603(E, F) 2SC2705(O, Y) 2SD1915(F) DTC124ES	2SC2577(O, P, Y) 2SA149A(O, Y) 2SC3855(O, Y)	2SA1708(R, S, T) 2SC4488(R, S, T)	1SS176 1SR139-100T32 MTZJ3.0A MTZJ13A MTZJ24C	RB402



D	132
IC	

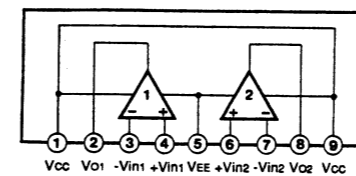
#		U	C	R	A-B	G
1	C119-122,147 162-163,148	OPEN				0.01
2	C146	OPEN				0.01
3						
4	R195,197	OPEN				2.2
5	F101	4A250V			T1-6A250V	
6	F102	OPEN				T2-5A250V
7	F103	OPEN		2A250V	OPEN	
8	T101	XC0B3		XC0B2	XC0B4	
9	C123-124	OPEN				0.022
10						
11	C149-150	OPEN		10/16	OPEN	
12	Q141	OPEN		C2577(O.P.Y)	OPEN	
13	Q142	OPEN		C1815(Y)	OPEN	
14	D124	OPEN		MTZJ13A	OPEN	
15	R183	OPEN		18K	OPEN	
16	C151	470/25		470/63	470/25	
17	JK103	VK4B060			OPEN	VK4B070
18	SW104	OPEN		VA96180	OPEN	
19	C157	0.01			0.01/400	
20	R184	1/2P2.2M		OPEN		
21	TE102	LA00387		VE22570		
22	TE101	VK50610				VK50620
23						
24	R214-215	OPEN				4.7
25	C164-165	OPEN				220P
26						
27	R218	OPEN				1
28	C158,172	OPEN				1000P
29	VR101,102	BIK			B470	

- * All voltage are measured with a 10MΩ/V DC electric volt meter.
- * Components having special characteristics are marked Δ and must be replaced with parts having specifications equal to those originally installed.
- * Schematic diagram is subject to change without notice.

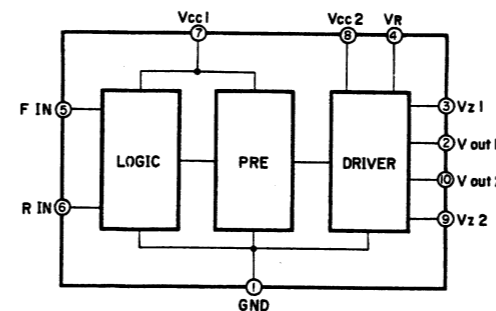


#	U-C	R	A-B	Ω
1	C301-302	OPEN		220P
2	L301-302	OPEN		220μH
3	R303-304	47		2.2K
4	R321-324, 327-328, 331-332	SHORT		100
5	R325-326, 329-330, 337-338, 341, 342	SHORT		220
6	C321-322-325-326	100P		220P
7	R397	OPEN		1.5K
8	R398	OPEN		3.6K
9	D309	OPEN		1SS133
10	D313	OPEN		SLR-34VC3H3
11	Q305	OPEN		DTC114ES
12	J	SHORT	OPEN	
13	J	OPEN	SHORT	
14				
15				

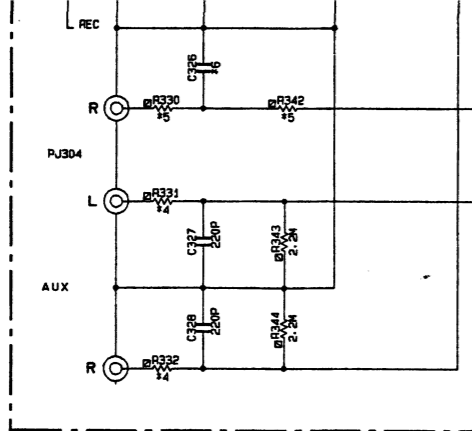
IC301 : NJM2068S
IC302 : μPC4570HA
Dual Ope-amp



IC303, 304 : LB1641
Motor Drive



Point ② : X IN
(Pin 29 of IC305)



NOTICE

- (J)..... Japanese model
- (U)..... U.S.A model
- (C)..... Canadian model
- (A)..... Australian model
- (G)..... European model
- (B)..... British model
- (R)..... General model
- (P)..... RP model

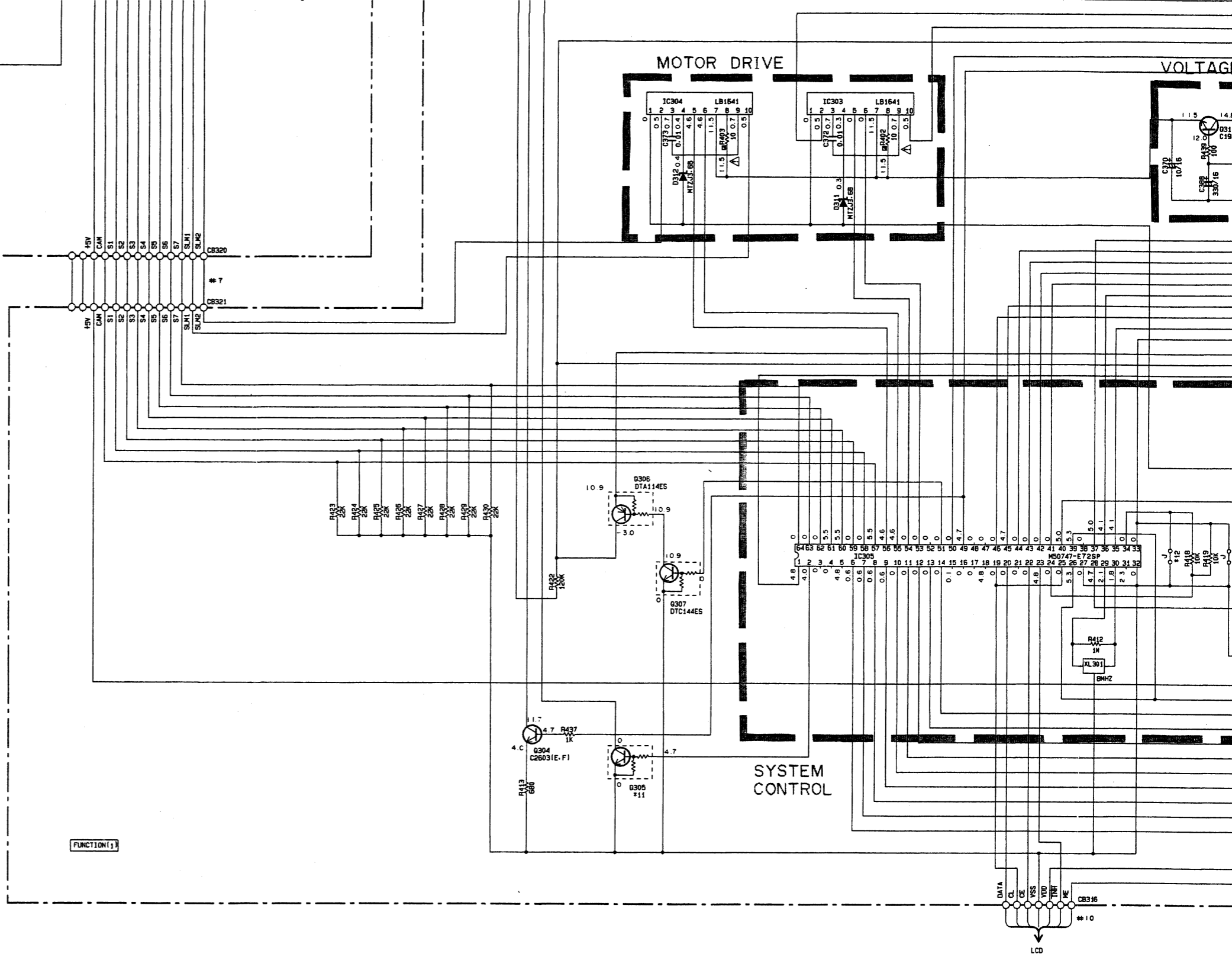
RESISTOR

REMARKS	PARTS NAME
NO MARK	CARBON FILM RESISTOR (1/6W)
□	CARBON FILM RESISTOR (1/4W)
△	METAL OXIDE FILM RESISTOR
▲	METAL FILM RESISTOR
⊠	METAL PLATE RESISTOR
▣	FIRE PROOF CARBON FILM RESISTOR
□	CEMENT MOLDED RESISTOR
⊙	SEMI VARIABLE RESISTOR
■	CHIP RESISTOR

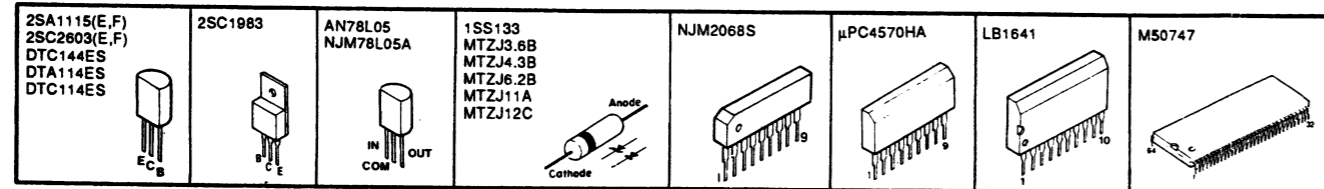
CAPACITOR

REMARKS	PARTS NAME	UNIT
NO MARK	ELECTROLYTIC CAPACITOR	μF
⊗	TANTALUM CAPACITOR	μF
NO MARK	CERAMIC CAPACITOR	pF
⊙	AXIAL LEAD CERAMIC CAPACITOR	pF
⊗	POLYESTER FILM CAPACITOR	pF
○	POLYSTYRENE FILM CAPACITOR	pF
⊖	MICA CAPACITOR	pF
⊕	POLYPROPYLENE FILM CAPACITOR	pF
●	SEMICONDUCTIVE CERAMIC CAPACITOR	pF

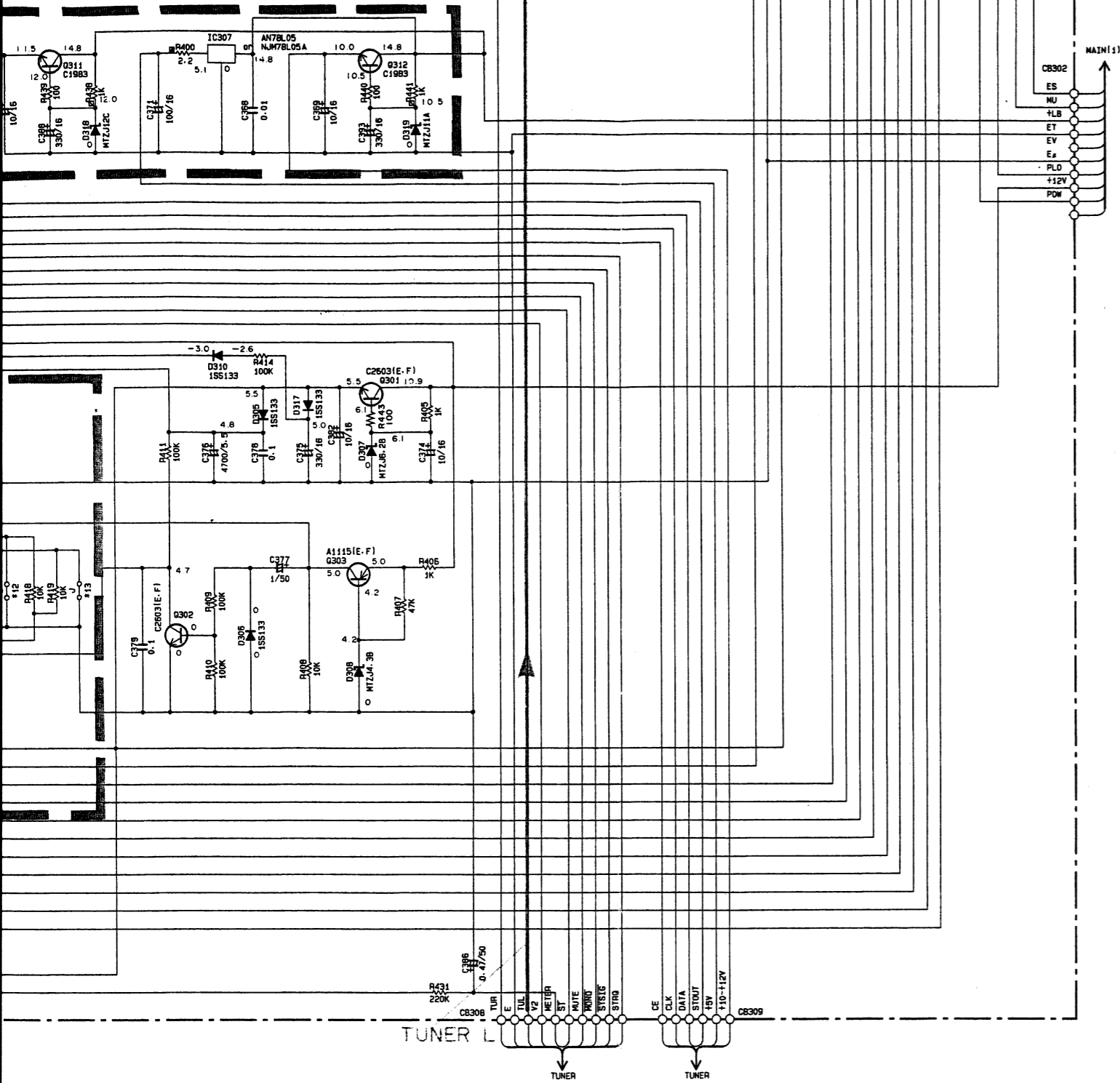
LAST NO.
C 393
R 441
B 312
D 319
IC 307



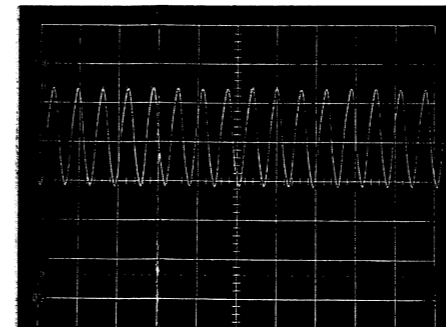
PIN CONNECTION DIAGRAM OF TRANSISTORS, DIODES AND ICs.



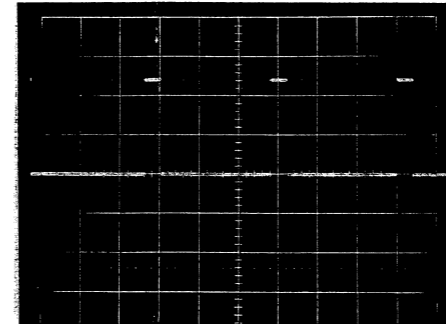
VOLTAGE REGULATOR



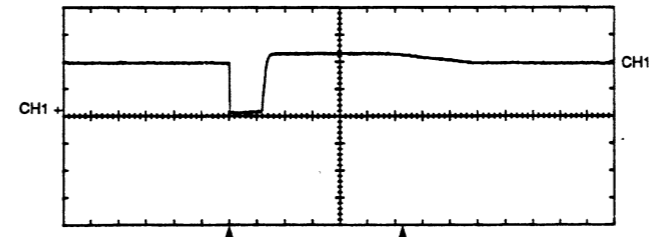
Point ② : X IN
 (Pin 29 of IC305)
 V : 0.2V/div H : 0.2μsec/div
 DC range 10 : 1 probe



Point ③ : D3 to D0
 (Pin 6 to 9 of IC305)
 V : 0.2V/div H : 5msec/div
 DC range 10 : 1 probe



Point ④ : RES
 (Pin 28 of IC305)
 V : 2V/div H : 200msec/div
 DC range 1 : 1 probe



When the power cord is connected to AC outlet. When the power cord is disconnected from AC outlet.
 Note : When the power switch ON/OFF will produce the above waveform.

- * All voltage are measured with a 10MΩ/V DC electric volt meter.
- * Components having special characteristics are marked Δ and must be replaced with parts having specifications equal to those originally installed.
- * Schematic diagram is subject to change without notice.

PARTS LIST

■ ELECTRICAL PARTS

■ WARNING

Components having special characteristics are marked Δ and must be replaced with parts having specifications equal to those originally installed.

● Carbon resistors (1/6W or 1/4W) are not included in the ELECTRICAL PARTS List. For the parts No. of the carbon resistors, refer to P. 42.

RX-550

Ref. NO.	PART NO.	Description			部 品 名	Remarks	Markets	ランク
	VK520700	FUNCTION CIRCUIT BOARD			ファンクションボード			
	VK520900	FUNCTION CIRCUIT BOARD			ファンクションボード			
	VK520800	FUNCTION CIRCUIT BOARD			ファンクションボード			
	VK520600	FUNCTION CIRCUIT BOARD			ファンクションボード			
	FA153820	NYLAR FILM CAP	8200pF	50V	マイラーコン	C345,346		
	FA153910	NYLAR FILM CAP	9100pF	50V	マイラーコン	C311,312		
	FA154560	NYLAR FILM CAP	0.056uF	50V	マイラーコン	C347,348		
	FA154680	NYLAR FILM CAP	0.068uF	50V	マイラーコン	C341,342		
	FA154330	NYLAR FILM CAP	0.33uF	50V	マイラーコン	C309,310		
	FA155390	NYLAR FILM CAP	0.39uF	50V	マイラーコン	C343,344		
	VK398700	MULTILAYER NYLAR FILM CAP	0.1uF	50V	積層マイラーコン	C384,385		
	FG212100	CERAMIC CAP	100pF	50V	セラコン	C333,334		
	FG212220	CERAMIC CAP	220pF	50V	セラコン	C303,304,331,332,323, 317-320,324,327,328, 335,336		
	FG212220	CERAMIC CAP	220pF	50V	セラコン	C301,302	G	
	FG212100	CERAMIC CAP	100pF	50V	セラコン	C321,322,325,326	U, C, R, A, B	
	FG212220	CERAMIC CAP	220pF	50V	セラコン	C321,322,325,326	G	
	FG213680	CERAMIC CAP	6800pF	50V	セラコン	C353,354		
	FG214100	CERAMIC CAP	0.01uF	50V	セラコン	C368,372,373,381		
	VF611200	MULTILAYER CERAMIC CAP	0.1uF	50V	積層セラコン	C378,379		
	VG286300	ELECTROLYTIC CAP	220uF	6.3V	ケミコン	C307,308		
	VG287200	ELECTROLYTIC CAP	10uF	16V	ケミコン	C374,382,339,340,369, 370		
	VG287600	ELECTROLYTIC CAP	100uF	16V	ケミコン	C371,337,338		
	VG287800	ELECTROLYTIC CAP	330uF	16V	ケミコン	C375,388,393		
	VG288900	ELECTROLYTIC CAP	100uF	25V	ケミコン	C315,316,355,356		
	VG290100	ELECTROLYTIC CAP	0.22uF	50V	ケミコン	C349,350		
	VG290300	ELECTROLYTIC CAP	0.47uF	50V	ケミコン	C329,330,386,383		
	VG290500	ELECTROLYTIC CAP	1uF	50V	ケミコン	C305,306,351,352,377		
	VG290600	ELECTROLYTIC CAP	2.2uF	50V	ケミコン	C313,314		
	UK166100	ELECTROLYTIC CAP	1uF	50V	B P ケミコン	C380		
	VB170100	ELECTROLYTIC CAP	4.7mF	5.5V	バックアップケミコン	C376		
	VB056900	COIL	220uH		コイル	L301,302	G	
	HV453220	FLAME PROOF CARBON RESISTOR	2.2Ω	1/4W	不燃化カーボン抵抗	R400		
	HV454100	FLAME PROOF CARBON RESISTOR	10Ω	1/4W	不燃化カーボン抵抗	R402,403		Δ
	HV455100	FLAME PROOF CARBON RESISTOR	100Ω	1/4W	不燃化カーボン抵抗	R319,320		
	HV455470	FLAME PROOF CARBON RESISTOR	470Ω	1/4W	不燃化カーボン抵抗	R371,372		
	XA956A00	IC	NJM2068S		IC	IC301		
	XB247A00	IC	uPC4570HA		IC	IC302		
	XF494A00	IC	LB1641		IC	IC303,304		
	IG065510	IC	NJH78L05A 5V		IC	IC307		
	XI804C00	IC	N50747-XXX		IC	IC305		
	VF926500	LIGHT DETECTING MODULE	GP1U501X		リモコン受光ユニット	U301		
	VK475200	ROTARY SWITCH	SRBA		ロータリーSW	SW318		
	VJ786400	ROTARY SWITCH	SRRZS4		ロータリーSW	SW316		
	KA906380	PUSH SWITCH			プッシュSW	SW301-315		
	VK475500	PUSH SWITCH	SPUN21		プッシュSW	SW317		
	LB202260	PIN JACK			ピンジャック	PJ301		
	LB401030	PIN JACK	4P	T5857-A	ピンジャック	PJ302,304		

*New Parts (新規部品)

ランク : Japan only

RX-550

Ref. NO.	PART NO.	Description	部 品 名		Remarks	Markets	ランク
	LB401040	PIN JACK	4P	T5858-A	ピンジャック		
	VI378500	SOCKET	MQ	7P	コネクタソケット	PJ303	
	VI377600	BASE PIN	MQ	6P TE	ベースピン	CB304	
	VB994800	CONNECTOR	807P-MQ		MQコネクタ	CB309	
	VI378000	BASE PIN	MQ	10P TE	ベースピン	CB303,310	
						CB308	
	VK216500	PLUG	FJ	10P	F J-L プラグ	CB301,302	
	VD004800	BASE PIN	PH	5P TE	ベースピン	CB317	
	VD005000	BASE PIN	PH	7P TE	ベースピン	CB315,316	
	VD005200	BASE PIN	PH	9P TE	ベースピン	CB314	
	VK485000	CONNECTOR	FPC	13P SE	F P C用コネクタ	CB320	
	VK492500	WAFER	5062	13P TE	サポータングウェハー	CB321	
	VB657100	CERAMIC RESONATOR	8MHz		セラミック振動子	XL301	
	VK695800	POTENTIOMETER	25K		二連ロータリーV R	VR302	
	VK696000	POTENTIOMETER	30K		二連ロータリーV R	VR301	
	VK314700	POTENTIOMETER	MN100K Ω		二連ロータリーV R	VR304	
	VK314800	POTENTIOMETER	30K Ω		二連ロータリーV R	VR303	
	IA111510	TRANSISTOR	2SA1115 E,F		トランジスタ	Q303	
	IC260320	TRANSISTOR	2SC2603 E,F		トランジスタ	Q301,302,304	
	IC198300	TRANSISTOR	2SC1983		トランジスタ	Q311,312	
	VG722000	DIGITAL TRANSISTOR	DTC144ES		デジタルトランジスタ	Q307	
	VD678500	DIGITAL TRANSISTOR	DTA114ES		デジタルトランジスタ	Q306	
	VD678700	DIGITAL TRANSISTOR	DTC114ES		デジタルトランジスタ	Q305	G
	IF004600	DIODE	1SS133 T-77		ダイオード	D301-306,310,317	
	IF004600	DIODE	1SS133 T-77		ダイオード	D309	G
	VG436400	ZENER DIODE	MTZJ3.6B		ツェナーダイオード	D311,312	
	VG436800	ZENER DIODE	MTZJ4.3B		ツェナーダイオード	D308	
	VG438000	ZENER DIODE	MTZJ6.2B		ツェナーダイオード	D307	
	VG439800	ZENER DIODE	MTZJ11A		ツェナーダイオード	D319	
	VG440300	ZENER DIODE	MTZJ12C		ツェナーダイオード	D318	
	VF402500	LED	SLR-34DC3H3		L E D	D314	
	VI013600	LED	SLR-34VC3H3		L E D	D313	G
	VB966900	PIN	1MSA-6024		スタイルピン		
	VK492600	CABLE	13P		H C Uジョイナー		
	VK520100	LED CIRCUIT BOARD			LEDシート		
	VF467000	CERAMIC CAP	1000pF 50V		円筒セラコン	C501,502	
	VJ599100	CERAMIC CAP	0.1uF 50V		円筒型セラコン	C503	
	XB764A00	IC	LC7583		I C	IC501	
	VB858600	BASE PIN	PH L-TYPE 7P SE		ベースピン	CB501	
	VJ805600	LCD	LCD 8159B1JP		L C D表示器	V501	
	VJ835300	LAMP	1.7W 115±VA L=100		ランプ		
	VK235400	REFLECTOR			リフレクタ L C D		
	VK235500	SHEET, LCD			シート L C D		
	VF444500	LAMP CAP	AG-4015		ランプキャップ		
	CB605620	PLASTIC RIVET	NO. 1057		ブラリベット		

*New Parts (新規部品)

ランク : Japan only

Ref. NO.	PART NO.	Description	部 品 名		Remarks	Markets	ランク
	VK538100	MAIN CIRCUIT BOARD		メインシート			
	VK538000	MAIN CIRCUIT BOARD		メインシート			
	VK537900	MAIN CIRCUIT BOARD		メインシート			
	VK537800	MAIN CIRCUIT BOARD		メインシート			
	VK537700	MAIN CIRCUIT BOARD		メインシート			
	FA154100	MYLAR FILM CAP	0.01uF	50V	マイラーコン	C119-122, 162, 163, 147, 148	G
	FA154220	MYLAR FILM CAP	0.022uF	50V	マイラーコン	C117, 118, 159	
	FA154220	MYLAR FILM CAP	0.022uF	50V	マイラーコン	C171	G
	FA154220	MYLAR FILM CAP	0.022uF	50V	マイラーコン	C123, 124	G
	VK533800	POLYPROPYLENE FILM CAP	47pF	200V	PPコン	C111-114	
	VK534400	POLYPROPYLENE FILM CAP	0.047uF	100V	PPコン	C143, 144	
	F1514100	CERAMIC CAP	0.01uF	VA-1	スパークキラーコン	C157	U, C, R
	VA985300	CERAMIC CAP	0.01uF	400V	規格認定コン	C157	A, B, G
	FG211330	CERAMIC CAP	33pF	50V	セラコン	C109, 110	
	FG212100	CERAMIC CAP	100pF	50V	セラコン	C103, 104	
	FG212220	CERAMIC CAP	220pF	50V	セラコン	C105, 106	
	FG212220	CERAMIC CAP	220pF	50V	セラコン	C164, 165	G
	FG213100	CERAMIC CAP	1000pF	50V	セラコン	C158, 172	G
	FG214100	CERAMIC CAP	0.01uF	50V	セラコン	C152	
	FG214100	CERAMIC CAP	0.01uF	50V	セラコン	C146	G
	UH195220	ELECTROLYTIC CAP	0.22uF	100V	ケミコン	C126	
	VG286300	ELECTROLYTIC CAP	220uF	6.3V	ケミコン	C137	
	VG286400	ELECTROLYTIC CAP	330uF	6.3V	ケミコン	C107, 108	
	VG287200	ELECTROLYTIC CAP	10uF	16V	ケミコン	C136, 125	
	VG287200	ELECTROLYTIC CAP	10uF	16V	ケミコン	C149, 150	R
	VG287500	ELECTROLYTIC CAP	47uF	16V	ケミコン	C132-135	
	VG290000	ELECTROLYTIC CAP	0.1uF	50V	ケミコン	C138	
	VG290300	ELECTROLYTIC CAP	0.47uF	50V	ケミコン	C170	
	VG290800	ELECTROLYTIC CAP	4.7uF	50V	ケミコン	C101, 102	
	VG291200	ELECTROLYTIC CAP	47uF	50V	ケミコン	C115, 116	
	VG289000	ELECTROLYTIC CAP	220uF	25V	ケミコン	C129	
	VG289200	ELECTROLYTIC CAP	470uF	25V	ケミコン	C140	
	VG289200	ELECTROLYTIC CAP	470uF	25V	ケミコン	C151	U, C, A, B, G
	VK347900	ELECTROLYTIC CAP	470uF	63V	ケミコン	C151	R
	UW678470	ELECTROLYTIC CAP	470uF	63V	ケミコン	C130	
	VG289400	ELECTROLYTIC CAP	3300uF	25V	ケミコン	C139	
	VK574700	ELECTROLYTIC CAP	6800uF	56V	ケミコン	C141, 142	
	UK166100	ELECTROLYTIC CAP	1uF	50V	B P ケミコン	C127	
	UK166470	ELECTROLYTIC CAP	4.7uF	50V	B P ケミコン	C145	
	XC082A00	POWER TRANSFORMER			電源トランス	T101	R
	XC083A00	POWER TRANSFORMER			電源トランス	T101	U, C
	XC084A00	POWER TRANSFORMER			電源トランス	T101	A, B, G
	GD900470	COIL	1.5uH	RZ-001	空芯コイル	L101, 102	
	HV453100	FLAME PROOF CARBON RESISTOR	1Ω	1/4W	不燃化カーボン抵抗	R171, 172, 181	
	HV453470	FLAME PROOF CARBON RESISTOR	4.7Ω	1/4W	不燃化カーボン抵抗	R203-206	
	HV453470	FLAME PROOF CARBON RESISTOR	4.7Ω	1/4W	不燃化カーボン抵抗	R214, 215	G
	HV454100	FLAME PROOF CARBON RESISTOR	10Ω	1/4W	不燃化カーボン抵抗	R143-146	
	HV454220	FLAME PROOF CARBON RESISTOR	22Ω	1/4W	不燃化カーボン抵抗	R151, 209, 211	
	HV455100	FLAME PROOF CARBON RESISTOR	100Ω	1/4W	不燃化カーボン抵抗	R125-128	

*New Parts (新規部品)

ランク : Japan only

Ref. NO.	PART NO.	Description	部 品 名	Remarks	Markets	ランク
	HV456100	FLAME PROOF CARBON RESISTOR	1K Ω 1/4W	不燃化カーボン抵抗	R131,132	
	HV456270	FLAME PROOF CARBON RESISTOR	2.7K Ω 1/4W	不燃化カーボン抵抗	R129,130	
	HL314150	METAL OXIDE RESISTOR	15 Ω 1W	酸化金属被膜抵抗	R173	
	HL325330	METAL OXIDE RESISTOR	330 Ω 2W	酸化金属被膜抵抗	R177,178	
	VJ695400	WIRE WOUND RESISTOR	0.22 Ω ×2 3W	セメント抵抗	R135,136	
	VK188400	FUSABLE RESISTOR	330 Ω 1/4W	ヒューズ抵抗	FR101,102	
	VA961800	VOLTAGE SELECTOR	ESE-37247-F	電圧切替器	SW104	R
	VK475400	PUSH SWITCH	SPUL12	プッシュSW	SW101	
	KB000740	FUSE	T1.6A 250V	ヒューズ	F101	A,B,G
	KB000380	FUSE	4A 250V	ヒューズ	F101	R
	KB002570	FUSE	4A 250V	ヒューズ	F101	U,C
	KB000690	FUSE	2.5A 250V	ヒューズ	F102	G
	KB000350	FUSE	2A 250V	ヒューズ	F103	R
	VD506000	RELAY		リレー 12V	RY104	
	VK438300	RELAY	DH24D2-OT(H)-11	リレー 24V	RY101-103	
	VK506100	SPEAKER TERMINAL	1T-51K	スピーカターミナル	TE101	U,C,R,A,B
	VK506200	SPEAKER TERMINAL	1T-51K	スピーカターミナル	TE101	G
	VK480700	AC OUTLET	M1859	ACアウトレット	JK103	G
	VK480600	AC OUTLET	CCT1304	ACアウトレット	JY103	U,C,R
	LB301720	PHONES JACK	M1669-A	ホーンジャック	JK101	
	VJ726800	MINIATURE JACK, MONIARAL		モノラル ミニジャック	JK102	
	VE225700	BASE PIN	2P P=7.5	ベースポスト	TE102	R,A,B,G
	LA003870	LAPPING TERMINAL	2P L-102NE	ラッピング端子	TE102	U,C
	VK217300	CONNECTOR	FJ 10P	FJ-リセブタクル	CB102,103	
	VI378500	SOCKET	HQ 7P	コネクタソケット	CB104	
	VD004500	BASE PIN	PH 2P TE	ベースピン	CB107,108	
	VD004600	BASE PIN	PH 3P TE	ベースピン	CB105	
	VD005300	BASE PIN	PH 10P TE	ベースピン	CB101,109	
	VJ692800	PRE-SET POTENTIOMETER	B470 Ω	半固定VR	VR101,102	A,B,G
	VJ693000	PRE-SET POTENTIOMETER	B1K Ω	半固定VR	VR101,102	U,C,R
	VK475600	POTENTIOMETER	Y60K Ω	二連ロータリーVR	VR103	
	IA097000	TRANSISTOR	2SA970 GR,BL	トランジスタ	Q103-106,129	
	IA101511	TRANSISTOR	2SA1015 Y	トランジスタ	Q113,114,131,133	
	VE198700	TRANSISTOR	2SA1145 O,Y	トランジスタ	Q111,112	
	IB056020	TRANSISTOR	2SB560 E,F	トランジスタ	Q139,135-137	
	IC181511	TRANSISTOR	2SC1815 Y	トランジスタ	Q107-110,130,132	
	IC181511	TRANSISTOR	2SC1815 Y	トランジスタ	Q142	R
	IC224030	TRANSISTOR	2SC2240 GR,BL	トランジスタ	Q127,128,134,140	
	IC257700	TRANSISTOR	2SC2577 O,P,Y	トランジスタ	Q141	R
	IC260320	TRANSISTOR	2SC2603 E,F	トランジスタ	Q117,118	
	VE198800	TRANSISTOR	2SC2705 O,Y	トランジスタ	Q115,116	
	VK432900	TRANSISTOR	2SD1915(F) ST	トランジスタ	Q101,102	
	IX613500	TRANSISTOR	2SA1708 R,S,T	トランジスタ	Q121,122	
	IX613510	TRANSISTOR	2SC4488 R,S,T	トランジスタ	Q119,120	
	VF331200	DIGITAL TRANSISTOR	DTC124ES	デジタルトランジスタ	Q138	
	VB236300	DIODE	1SS176	ダイオード	D101-107,110,112,113, 127-132,123	
	VH770800	DIODE	1SR139-100 T-32	ダイオード	D116-119,125	
	IH001040	DIODE BRIDGE	RB402	ダイオードブリッジ	D120	
	VG435800	ZENER DIODE	WTZJ3A	ツェナーダイオード	D111	

*New Parts (新規部品)

ランク : Japan only

Ref. NO.	PART NO.	Description	部 品 名	Remarks	Markets	ランク
	VG440400	ZENER DIODE	MTZJ13A	ツェナーダイオード	D108,109	
	VG440400	ZENER DIODE	MTZJ13A	ツェナーダイオード	D124	R
	VG442600	ZENER DIODE	MTZJ24C	ツェナーダイオード	D114,115,126	
	LB201880	FUSE HOLDER PIN	PC-FH1	ヒューズホルダピン		
	BB070700	MATAL, GROUND		アース金具		
	VB966900	PIN	1MSA-6024	スタイルピン		
	BB071360	TERMINAL, SCREW	8.3x13	ネジ端子		
	VS519700	TUNER CIRCUIT BOARD		チューナシート		R
	VS519800	TUNER CIRCUIT BOARD		チューナシート		A
	VS519900	TUNER CIRCUIT BOARD		チューナシート		U.C.
	VS520000	TUNER CIRCUIT BOARD		チューナシート		G
	VS519300	TUNER CIRCUIT BOARD		チューナシート		B
	FA153100	MYLAR FILM CAP	1000pF 50V	マイラーコン	C45,48	
	FA153270	MYLAR FILM CAP	2700pF 50V	マイラーコン	C41,43	
	FA153390	MYLAR FILM CAP	3900pF 50V	マイラーコン	C46,47	
	FA154470	MYLAR FILM CAP	0.047uF 50V	マイラーコン	C34	
	FA155100	MYLAR FILM CAP	0.1uF 50V	マイラーコン	C18	
	UT452470	POLYPROPYLENE FILM CAP	470pF 100V	PPコン	C36,37	A, B
	UT452390	POLYPROPYLENE FILM CAP	390pF 100V	PPコン	C36,37	G
	UT452680	POLYPROPYLENE FILM CAP	680pF 100V	PPコン	C36,37	U.C.
	VA761200	CERAMIC CAP	33pF 50V	セラコン	C19,28	
	VF466700	CERAMIC CAP	47pF 50V	円筒セラコン	C16	
	VF466800	CERAMIC CAP	100pF 50V	円筒セラコン	C21	U.C.R.A.B
	VF466900	CERAMIC CAP	470pF 50V	円筒セラコン	C38	
	VF467000	CERAMIC CAP	1000pF 50V	円筒セラコン	C11,14,15	
	VF467300	CERAMIC CAP	0.01uF 16V	円筒セラコン	C5,8-10,23,27	
	VG280100	CERAMIC CAP	0.022uF 25V	円筒セラコン	C2	
	VJ599000	CERAMIC CAP	0.047uF 16V	円筒セラコン	C3,49	
	VI842200	ELECTROLYTIC CAP	10uF 16V	ケミコン	C4,12,13,20,26,31,39,42	
	VI842600	ELECTROLYTIC CAP	100uF 16V	ケミコン	C6,17	
	VI842800	ELECTROLYTIC CAP	330uF 16V	ケミコン	C1	
	VI844800	ELECTROLYTIC CAP	0.47uF 50V	ケミコン	C32	
	VI844900	ELECTROLYTIC CAP	1uF 50V	ケミコン	C7,29,30,33,40,44	
	VI845000	ELECTROLYTIC CAP	2.2uF 50V	ケミコン	C22	
	VI845100	ELECTROLYTIC CAP	3.3uF 50V	ケミコン	C25	
	VI845200	ELECTROLYTIC CAP	4.7uF 50V	ケミコン	C24	
	UK166220	ELECTROLYTIC CAP	2.2uF 50V	B Pケミコン	C35	
	GE901850	COIL, INDUCTOR	39mH	固定インダクター	L4,5	
	VI546100	COIL	220 μH	固定コイル	L1-3	
	GE100470	AM COIL	450KHz	AM IFTコイル	T2	
	GE200530	FILTER	114KHz	LCフィルタ	T3	G
	VC218600	COIL, FM DETECT	10.7MHz	FM検波コイル	T1	
	IG158100	IC	LA3401	IC	IC3	
	XB760A00	IC	LA1266	IC	IC1	
	XB818A00	IC	LM7000N	IC	IC2	
	VF541200	SLIDE SWITCH	SSSF11	スライドSW	SW1	R

*New Parts (新規部品)

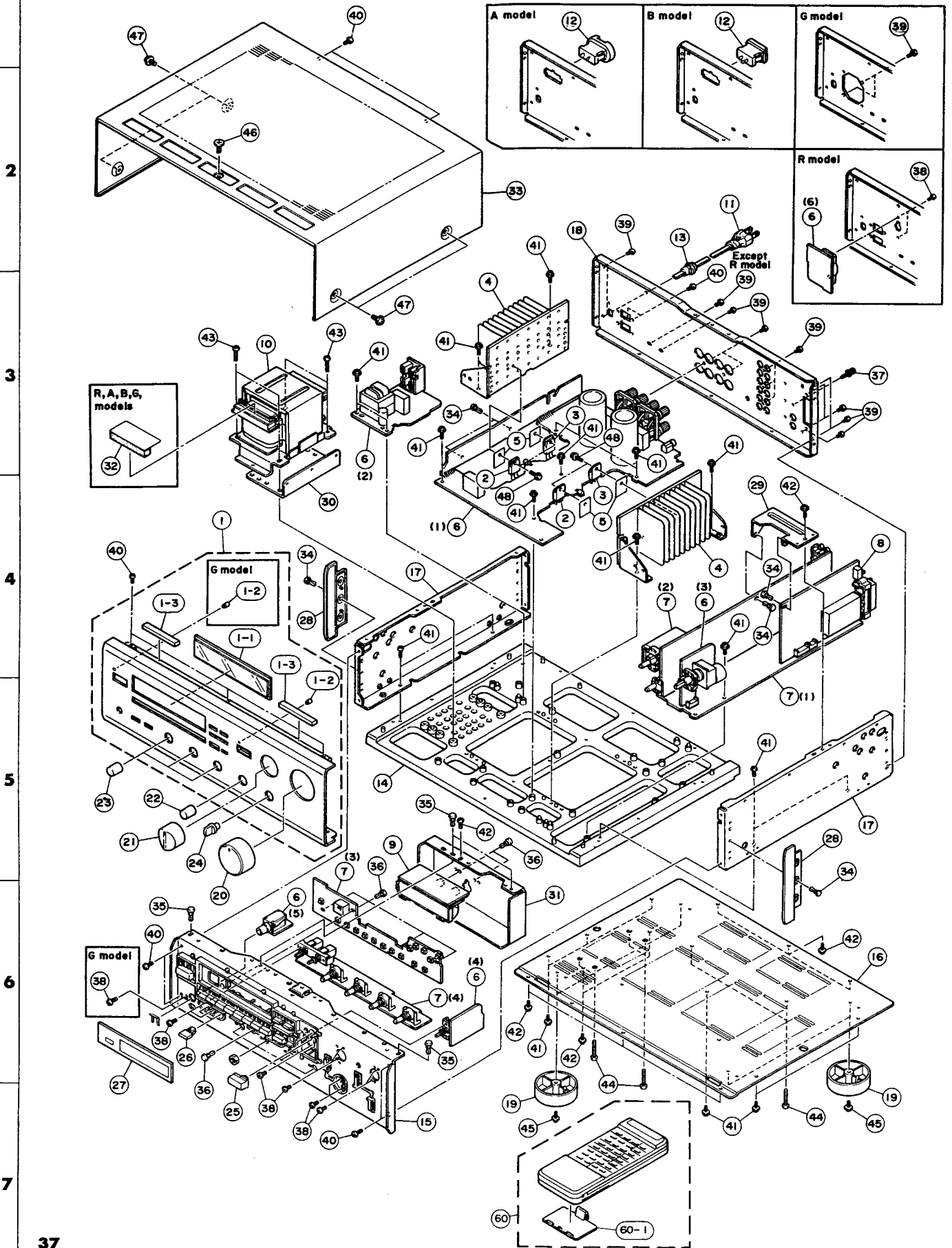
ランク : Japan only

Ref. NO.	PART NO.	Description	部 品 名	Remarks	Markets	ランク
	LA005800	ANTENNA TERMINAL	YKD31-0215	アンテナ端子	TE1	A,G
	VAB45900	ANTENNA TERMINAL	YKD21-0028A	アンテナ端子	TE1	U,C,R,B
	VI378400	SOCKET	HQ 6P	コネクタソケット	CB4	
	VI378800	SOCKET	HQ 10P	コネクタソケット	CB5	
	VI027300	AM COIL PACK		AM コイルパック	PK2	
	VC219400	FRONT-END TUNER PACK	TFFG3E114A	バック	PK1	G
	VK208500	FRONT-END TUNER PACK	TFFG1U145A	フロエントバック	PK1	U,C,R,A,B
	GG000560	CERAMIC FILTER	SFE10.7MS3GHY-A	セラミックフィルタ	F11,2	
	VC219000	CERAMIC FILTER	SFZ450JL3	セラミックフィルタ	F13	
	QU003800	QUARTZ CRYSTAL UNIT	7.2MHz	水晶振動子	XL1	
	GG000750	CERAMIC RESONATOR	18.95MHz CSB456F11	セラミック振動子	XL2	
	VJ694000	PRE-SET POTENTIOMETER	B47KΩ	半固定VR	VR1,2	
	VC218700	TRANSISTOR	2SA1317 R,S,T	トランジスタ	Q5	
	VB433300	TRANSISTOR	2SC1809 M,N,P	トランジスタ	Q1,4	
	VC218900	TRANSISTOR	2SC3330 R,S,T	トランジスタ	Q2,3,6	
	IF004600	DIODE	1SS133 T-77	ダイオード	D1,2	
	BB071360	TERMINAL,SCREW	8.3x13	ネジ端子		

*New Parts (新規部品)

ランク : Japan only

1 ■ EXPLODED VIEW



MECHANICAL PARTS Note) ∅ : Diameter

Ref. NO.	PART NO.	Description	部 品 名	Remarks	Markets	ランク
01	VK543500	PANEL UNIT	パネルユニット	BL	U, C, R, A, B	
01	VK543600	PANEL UNIT	パネルユニット	BL	G	
01	VK543700	PANEL UNIT	パネルユニット	T	U, C, R, A, B	
01	VK543800	PANEL UNIT	パネルユニット	T	G	
01-1	VJ832800	WINDOW	ウインドウ			
01-2	VH897700	LENS	レンズ			
01-3	VK863200	DAMPER	ダンパー			
02	IX620970	TRANSISTOR	2SA1491 O.P,Y	トランジスタ		△
03	IX620980	TRANSISTOR	2SC3855 O.P,Y	トランジスタ		△
04	VK232400	RADIATOR ASS'Y	ラジエータ ASSY			
05	VK195900	SHEET	19x24	シート		
06	VK538000	MAIN CIRCUIT BOARD		メインシート	A, B	
06	VK537900	MAIN CIRCUIT BOARD		メインシート	R	
06	VK537700	MAIN CIRCUIT BOARD		メインシート	U	
06	VK538100	MAIN CIRCUIT BOARD		メインシート	G	
06	VK537800	MAIN CIRCUIT BOARD		メインシート	C	
07	VK520800	FUNCTION CIRCUIT BOARD		ファンクションシート	A, B	
07	VK520700	FUNCTION CIRCUIT BOARD		ファンクションシート	R	
07	VK520900	FUNCTION CIRCUIT BOARD		ファンクションシート	G	
07	VK520600	FUNCTION CIRCUIT BOARD		ファンクションシート	U, C	
08	VK519800	TUNER CIRCUIT BOARD		チューナシート	A	
08	VK519700	TUNER CIRCUIT BOARD		チューナシート	R	
08	VK519900	TUNER CIRCUIT BOARD		チューナシート	B	
08	VK519600	TUNER CIRCUIT BOARD		チューナシート	U, C	
08	VK520000	TUNER CIRCUIT BOARD		チューナシート	G	
09	VK520100	LCD CIRCUIT BOARD		LCDシート		
10	XI641B00	POWER TRANSFORMER		電源トランス	C	△
10	XI640A00	POWER TRANSFORMER		電源トランス	U	△
10	XI644A00	POWER TRANSFORMER		電源トランス	G	△
10	XI643A00	POWER TRANSFORMER		電源トランス	A, B	△
10	XI642A00	POWER TRANSFORMER		電源トランス	R	△
11	VE222900	POWER CORD ASS'Y		パワーコード ASSY	R	△
11	VE042900	POWER CORD ASS'Y		パワーコード ASSY	A	△
11	VK815600	POWER CORD ASS'Y		パワーコード ASSY	B	△
11	VE043400	POWER CORD ASS'Y		パワーコード ASSY	G	△
11	HG002220	POWER CORD	10A	電源コード	U, C	△
12	VG626100	AC OUTLET	S2-739T	電源コネクタ	A	△
12	VJ775000	AC OUTLET		AC アウトレット	B	△
13	CB620190	CORD STOPPER	CM-22B	コードストッパー	R, A, B, G	
13	CB620200	CORD STOPPER	CM-22C	コードストッパー	U, C	
14	VK233300	CHASSIS		シャーシ アートベース		
15	VK236100	SUB CHASSIS		サブシャーシ (T)	T	
15	VK236000	SUB CHASSIS		サブシャーシ (B)	BL	
16	VK443600	BOTTOM COVER		ボトムカバー		
17	VK234000	FRAME SIDE		フレーム サイド		
18	VK231300	REAR PANEL		リヤパネル U	U	
18	VK231400	REAR PANEL		リヤパネル C	C	
18	VK231500	REAR PANEL		リヤパネル R	R	
18	VK231600	REAR PANEL		リヤパネル A	A	
18	VK231700	REAR PANEL		リヤパネル B	B	

*New Parts (新規部品)

ランク : Japan only

Ref. NO.	PART NO.	Description	部 品 名	Remarks	Markets	ランク
18	VK231800	REAR PANEL		リヤパネル G		G
19	VIG15200	LEG		レッグ		
20	VK219800	KNOB	D45	ノブ	T	
20	VK219700	KNOB	D45	ノブ	BL	
21	VK220100	KNOB	D32	ノブ	BL	
21	VK220200	KNOB	D32	ノブ	T	
22	VK234300	KNOB		ノブ / 14 L (B)	BL	
22	VK234400	KNOB		ノブ / 14 L (T)	T	
23	VH889300	KNOB	D14	ノブ	T	
23	VH889200	KNOB	D14	ノブ	BL	
24	VI251000	KNOB	D14	ノブ	BL	
24	VI251100	KNOB	D14	ノブ	T	
25	VH842000	BUTTON	10/25	ボタン	T	
25	VH841900	BUTTON	10/25	ボタン	BL	
26	VH816100	BUTTON	3/14	ボタン	T	
26	VH816000	BUTTON	3/14	ボタン	BL	
27	VK234500	PLATE, LCD		プレート LCD		
28	VK234600	PLATE SIDE		プレートサイド	BL	
28	VK234700	PLATE SIDE		プレートサイド (T)	T	
29	VK234800	FRAME		フレーム PCB		
30	VK296200	FRAME	PCB	フレーム		
31	VK234900	FRAME SHIELD		フレーム シールド		
32	VL040300	SHEET		シート プロテクター		R, A, B, G
33	VK233200	TOP COVER		トップカバー (T)	T	
33	VK233100	TOP COVER		トップカバー	BL	
34	CB099600	PLASTIC RIVET		ブラリベット		
35	CB068880	PLASTIC RIVET	#1027	ブラリベット		
36	CB0605620	PLASTIC RIVET	NO. 1057	ブラリベット		
37	AA627310	GROUND TERMINAL		GNDターミナル		
38	ED330066	BIND HEAD SCREW	3x6 FCRM3-BL	バインド小ネジ		
39	EZ000460	BIND HEAD BONDING TAP. SCREW	3x8 FCM3-BL	ボンディングタッピング		
40	EI330086	BIND HEAD P-TITE SCREW	3x8 FCRM3-BL	バインドタッピングネジ		
41	VB770200	BW HEAD TAPPING SCREW	3x10 FCM3	BWヘッドタッピングネジ		
42	EK330030	BW HEAD TAPPING SCREW	3x10-8 FCM3-BL	BWヘッドタッピングネジ		
43	EI340166	BIND HEAD P-TITE SCREW	4x16 FCRM3-BL	バインドタッピングネジ		
44	VL184400	BIND HEAD B-TITE SCREW	4x22 FCM3-BL	バインドタッピングネジ		
45	EK336010	BW HEAD TAPPING SCREW	3x8 FCM3	BWタッピングネジ		
46	EX601850	S-TITE SCREW	4x8 FCRM3-BL	化粧ネジSタイト	BL	
46	EX601860	S-TITE SCREW	4x8 FNM3-BL	化粧ネジSタイト	T	
47	EK365090	BW HEAD SCREW	4x8-10 FCRM3-BL	BWヘッドSタイトネジ	BL	
47	EX601150	BW HEAD SCREW	4x8-10 FNM3-BL	BWヘッド小ネジ	T	
48	VK173200	SCREW, TRANSISTOR		スクリューTR		C
	CB069250	BIND TIE		束縛止め		
60	VK380000	ACCESSORIES REMOTE CONTROL TRANSMITTER	SBFA03P55A EX	付属品 トランスミッター		
60-1	CX616900	LID DRY CELL	SUH-3N(2S)NE	電池蓋 マンガン電池		

*New Parts (新規部品)

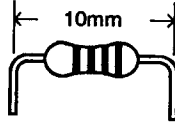
ランク : Japan only

Parts List for Carbon Resistors

Value	1/4W Type Part No.	1/6W Type Part No.	Value	1/4W Type Part No.	1/6W Type Part No.
1.0 Ω	HJ35 3100	HF853100	12 KΩ	HJ35 7120	HF85 7120
1.8 Ω	HJ35 3180	*	15 KΩ	HJ35 7150	HF85 7150
2.2 Ω	HJ35 3220	HF853220	18 KΩ	HJ35 7180	HF85 7180
3.3 Ω	HJ35 3330	HF853330	22 KΩ	HJ35 7220	HF85 7220
4.7 Ω	HJ35 3470	HF853470	27 KΩ	HJ35 7270	HF85 7270
5.6 Ω	HJ35 3560	HF853560	33 KΩ	HJ35 7330	HF85 7330
10 Ω	HJ35 4100	HF854100	39 KΩ	HJ35 7390	HF85 7390
15 Ω	HJ35 4150	HF854150	47 KΩ	HJ35 7470	HF85 7470
22 Ω	HJ35 4220	HF854220	56 KΩ	HJ35 7560	HF85 7560
27 Ω	HJ35 4270	HF854270	68 KΩ	HJ35 7680	HF85 7680
33 Ω	HJ35 4330	HF854330	82 KΩ	HJ35 7820	HF85 7820
39 Ω	HJ35 4390	HF854390	91 KΩ	HJ35 7910	HF85 7910
47 Ω	HJ35 4470	HF854470	100 KΩ	HJ35 8100	HF85 8100
56 Ω	HJ35 4560	HF854560	120 KΩ	HJ35 8120	HF85 8120
68 Ω	HJ35 4680	HF854680	150 KΩ	HJ35 8150	HF85 8150
82 Ω	HJ35 4820	HF854820	180 KΩ	HJ35 8180	HF85 8180
100 Ω	HJ35 5100	HF855100	220 KΩ	HJ35 8220	HF85 8220
110 Ω	HJ35 5110	HF855110	270 KΩ	HJ35 8270	HF85 8270
120 Ω	HJ35 5120	HF855120	330 KΩ	HJ35 8330	HF85 8330
150 Ω	HJ35 5150	HF855150	390 KΩ	HJ35 8390	HF85 8390
160 Ω	HJ35 5160	*	470 KΩ	HJ35 8470	HF85 8470
180 Ω	HJ35 5180	HF855180	560 KΩ	HJ35 8560	HF85 8560
220 Ω	HJ35 5220	HF855220	680 KΩ	HJ35 8680	HF85 8680
270 Ω	HJ35 5270	HF855270	820 KΩ	HJ35 8820	HF85 8820
330 Ω	HJ35 5330	HF855330	1.0 MΩ	HJ35 9100	HF85 9100
390 Ω	HJ35 5390	HF855390	1.2 MΩ	HJ35 9120	*
470 Ω	HJ35 5470	HF855470	1.5 MΩ	HJ35 9150	HF85 9150
510 Ω	*	HF855510	1.8 MΩ	HJ35 9180	HF85 9180
560 Ω	HJ35 5560	HF855560	2.2 MΩ	HJ35 9220	HF85 9220
680 Ω	HJ35 5680	HF855680	3.3 MΩ	HJ35 9330	HF85 9330
820 Ω	HJ35 5820	HF855820	3.9 MΩ	HJ35 9390	*
910 Ω	HJ35 5910	HF855910	4.7 MΩ	HJ35 9470	HF85 9470
1.0 KΩ	HJ35 6100	HF856100			
1.2 KΩ	HJ35 6120	HF856120			
1.5 KΩ	HJ35 6150	HF856150			
1.8 KΩ	HJ35 6180	HF856180			
2.0 KΩ	HJ35 6200	HF856200			
2.2 KΩ	HJ35 6220	HF856220			
2.4 KΩ	HJ35 6240	HF856240			
2.7 KΩ	HJ35 6270	HF856270			
3.0 KΩ	HJ35 6300	HF856300			
3.3 KΩ	HJ35 6330	HF856330			
3.6 KΩ	HJ35 6360	HF856360			
3.9 KΩ	HJ35 6390	HF856390			
4.7 KΩ	HJ35 6470	HF856470			
5.1 KΩ	HJ35 6510	HF856510			
5.6 KΩ	HJ35 6560	HF856560			
6.8 KΩ	HJ35 6680	HF856680			
8.2 KΩ	HJ35 6820	HF856820			
9.1 KΩ	HJ35 6910	HF856910			
10 KΩ	HJ35 7100	HF857100			

1/4W Type

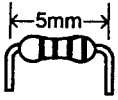
HJ35 ○○○○



10mm

1/6W Type

HF85 ○○○○



5mm

RX-550